



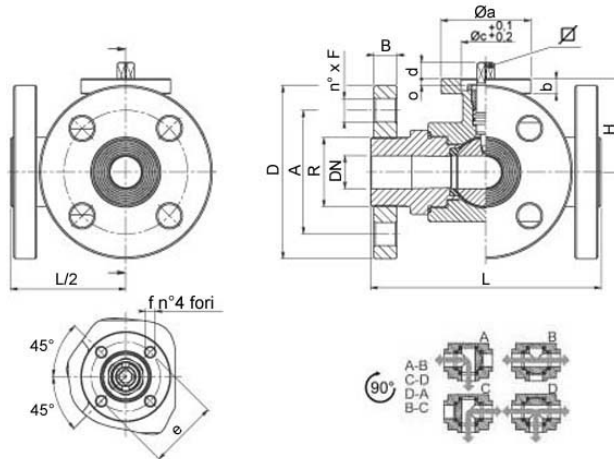
303050

THREE-way ball valve 4 seals with "T" port
 Drive: ISO 5211 - DIN 3337 flange for actuator
 Connection: revolving threaded flanges UNI EN 1092-1:2003
 Flow: full
 Material: Aisi 304 - 316
 Measure: from DN 10 to DN 100
 Seals: virgin P.T.F.E.
 Operating temperature: -20°C +160°C
 Outer finish: polished

On request:

Antistatic device ATEX (Directive 94/9/EC)

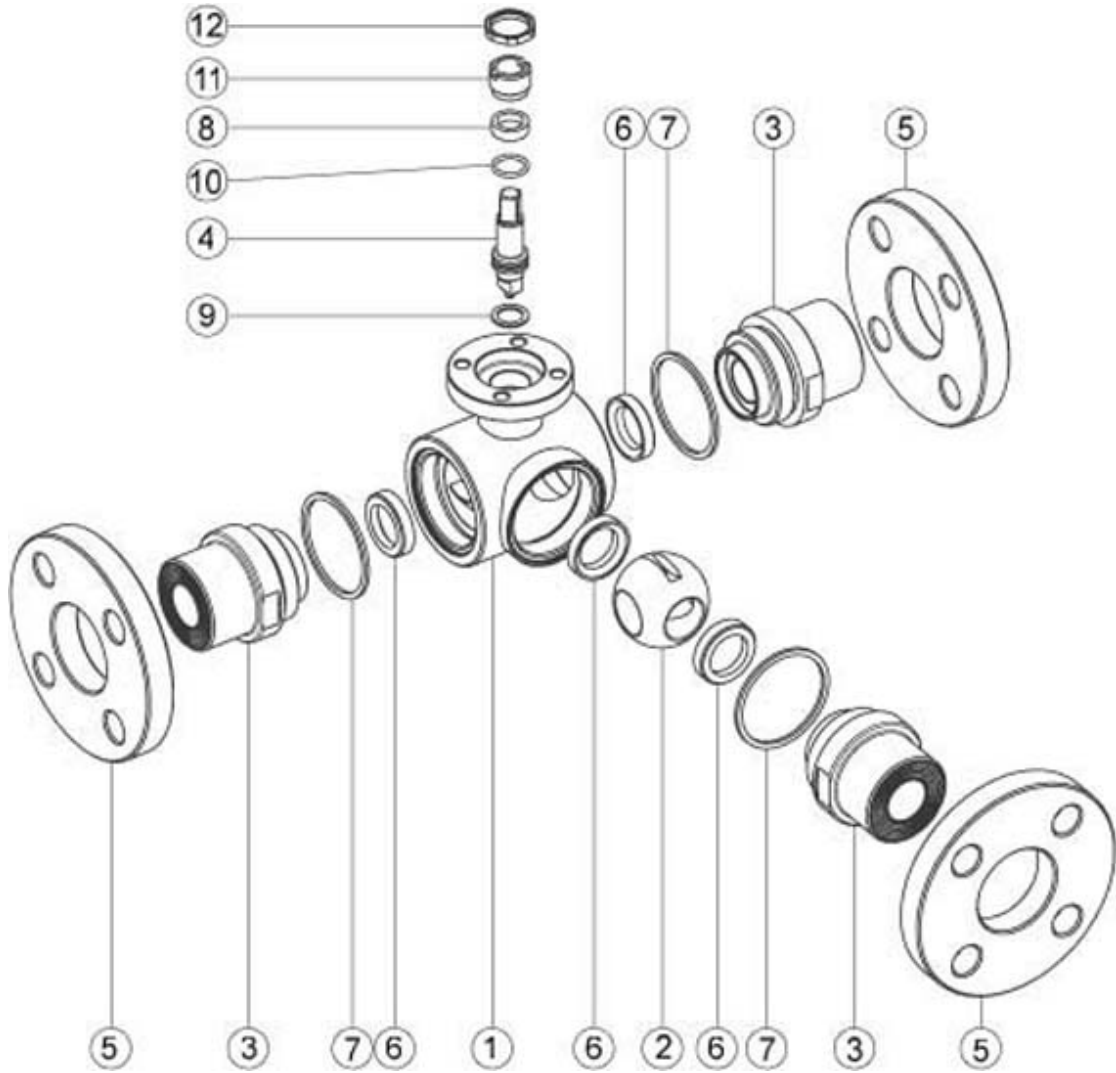
- zinc-plated flanges
- ANSI 150 flanges
- ANSI 300 flanges
- Seals made of:
 - P.T.F.E. with glass
 - P.T.F.E. with carbographe
 - High-molecular weight polyethylene



DN	L	H	D	B	R	A	n° x F	PN	Kg	ISO-DIN	Ø a	b	Ø c x o]	d	e	f	n° 4 bolts	Nm	CODE AISI 304L	CODE AISI 316L
10	120	46,5	90	12	30	60	4 x 14	40	2,67	F.03	46	9	25x3	9	8	36	6	M5x16	10	303050 40810	303050 60810
10	120	46,5	90	12	30	60	4 x 14	40	2,70	F.04	54	9	30x3	11	10	42	6	M5x16	10	303050 4081F	303050 6081F
15	130	49	95	12	34	65	4 x 14	40	3,23	F.03	46	9	25x3	9	8	36	6	M5x16	12	303050 41410	303050 61410
15	130	49	95	12	34	65	4 x 14	40	3,27	F.04	54	9	30x3	11	10	42	6	M5x16	12	303050 4141F	303050 6141F
20	140	56,5	105	14	42	75	4 x 14	40	4,76	F.04	54	9	30x3	11	10	42	6	M5x16	23	303050 42010	303050 62010
20	140	56,5	105	14	42	75	4 x 14	40	4,81	F.05	65	9	35x3	14	13	50	7	M6x16	23	303050 4201F	303050 6201F
25	150	61	115	14	51	85	4 x 14	40	6,15	F.04	54	9	30x3	11	10	42	6	M5x16	25	303050 42610	303050 62610
25	150	61	115	14	51	85	4 x 14	40	6,65	F.05	65	9	35x3	14	13	50	7	M6x16	25	303050 4261F	303050 6261F
32	180	81,5	140	16	63	100	4 x 18	40	10,45	F.05	65	9	35x4	14	13	50	7	M6x20	33	303050 43010	303050 63010
32	180	81,5	140	16	63	100	4 x 18	40	10,62	F.07	90	12	55x4	17	15	70	9	M8x20	33	303050 4301F	303050 6301F
40	200	89	150	16	75	110	4 x 18	40	13,80	F.05	65	9	35x4	14	13	50	7	M6x20	40	303050 43410	303050 63410
40	200	89	150	16	75	110	4 x 18	40	14,00	F.07	90	12	55x4	17	15	70	9	M8x20	40	303050 4341F	303050 6341F
50	220	91,5	165	18	89	125	4 x 18	25	18,20	F.07	90	12	55x4	17	15	70	9	M8x20	50	303050 43810	303050 63810
50	220	91,5	165	18	89	125	4 x 18	25	18,70	F.10	125	12	70x4	22	18	102	11	M10x25	50	303050 4381F	303050 6381F
65 **	240	101,5	185	18	110	145	4 x 18	16	23,10	F.07	90	12	55x4	17	15	70	9	M8x20	60	303050 44410	303050 64410
65 **	240	101,5	185	18	110	145	4 x 18	16	23,60	F.10	125	12	70x4	22	18	102	11	M10x25	60	303050 4441F	303050 6441F
65 **	240	101,5	185	20	110	145	8 x 18	25	23,50	F.07	90	12	55x4	17	15	70	9	M8x20	60	303052 44410	303052 64410
65 **	240	101,5	185	20	110	145	8 x 18	25	24,10	F.10	125	12	70x4	22	18	102	11	M10x25	60	303052 4441F	303052 6441F
80 **	260	116	200	18	120	160	8 x 18	16	33,10	F.07	90	12	55x4	17	15	70	9	M8x20	110	303050 44810	303050 64810
80 **	260	116	200	18	120	160	8 x 18	16	33,60	F.10	125	12	70x4	22	18	102	11	M10x25	110	303050 4481F	303050 6481F
100 **	300	131	220	20	140	180	8 x 18	16	48,6	F.07	90	12	55x4	17	15	70	9	M8x20	130	303050 45410	303050 65410
100 **	300	131	220	20	140	180	8 x 18	16	50	F.10	125	12	70x4	22	18	102	11	M10x25	130	303050 4541F	303050 6541F
125 ** (Reduced)	325	190	250	22	153	210	8 x 18	16	59,76	F.07	90	12	55x4	17	15	70	9	M8x20	130	303050 45510	303050 65510
125 ** (Reduced)	325	190	250	22	153	210	8 x 18	16	60,26	F.10	125	12	70x4	22	18	102	11	M10x25	130	303050 4551F	303050 6551F

Maximum break out torque in Nm

** Four way



POS.	DENOMINATION	PCS	MAT.
1	Body	1	AISI 304L - 316L
2	Ball	1	AISI 304L - 316L
3	Sleeves	3	AISI 304L - 316L
4	Stem	1	AISI 304L - 316L
5	Flanges	3	AISI 304L - 316L - Aq.
6	Ball seals	4	PTFE
7	Sleeve seals	3	PTFE
8	Stem seal	1	PTFE
9	Stem seal	1	PTFE
10	Stem OR-seal	1	FKM
11	Register ring	1	AISI 304L (303)
12	Locknut	1	AISI 303

