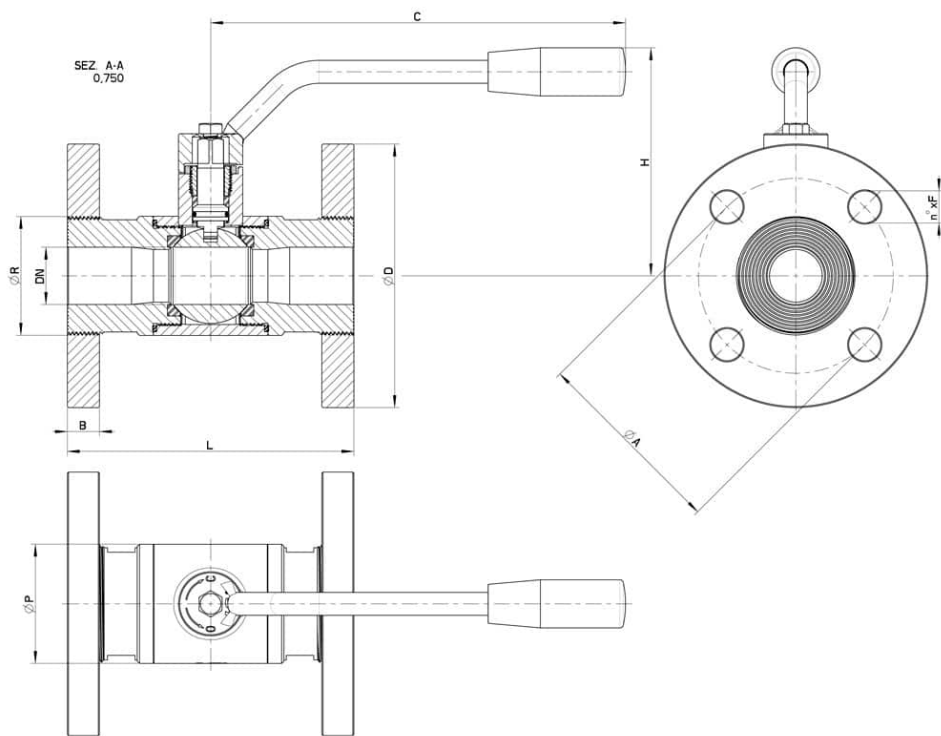


100150 STANDARD SEALS_REVOLVING THREADED FLANGES UNI EN 1092-1

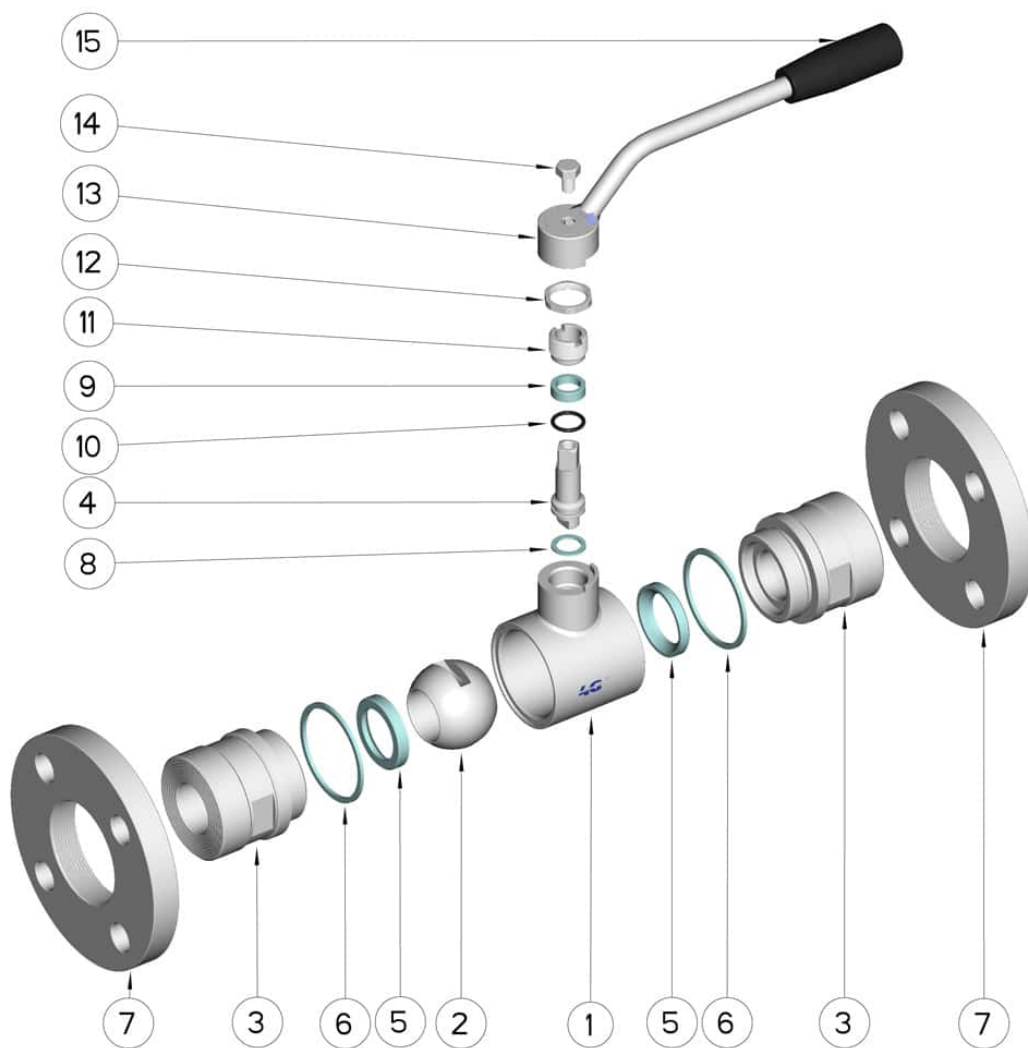


TWO-way ball valve
Drive: Inox lever
Connection: Revolving threaded flanges UNI EN 1092-1
Flow: Full and reduced
Material: Aisi 304L (1.4307) – Aisi 316L (1.4404)
Measure: from DN10 to DN125
Seals: Modified Virgin P.T.F.E.
Operating temperature: -20°C+170°C
Outer finish: Polished

On request:
Antistatic device ATEX II 2 G-D T4 zone 1-21
M.O.C.A. CE 1935/2004
• Seals made of:
PTFE with glass -20°C+170°C
PTFE with carbographite -20°C+180°C
PTFE with inox -20°C+200°C
UHMW High-molecular weight polyethylene -20°C+80°C



DN	DN	L	C	H	Ø P	D	B	ØR	A	n° x F	PN	Kg	COD. AISI 304L	COD. AISI 316L
10	10	110	125	70	30	90	12	30	60	4x14	40	1,57	-	100150 60810
15	15	115	125	75	35	95	12	35	65	4x14	40	1,8	-	100150 61410
20	20	120	125	80	42	105	14	42	75	4x14	40	2,55	-	100150 62010
25	25	125	170	100	52	115	14	51	85	4x14	40	3,45	-	100150 62610
32	32	130	170	110	60	140	16	63	100	4x18	40	5,1	-	100150 63010
40	40	140	240	120	73	150	16	75	110	4x18	40	6,45	-	100150 63410
50	50	150	240	130	88	165	18	89	125	4x18	40	8,9	-	100150 63810
65	65	170	260	145	113	185	18	110	145	4x18	16	13	-	100150 64410
65	65	170	260	145	113	185	20	110	145	8x18	40	-	-	100152 64410
80	80	180	300	160	135	200	18	120	160	8x18	16	16,1	100150 44810	100150 64810
80	80	180	300	160	135	200	22	120	160	8x18	40	16,1	100152 44810	100152 64810
100	100	190	330	180	167	220	20	140	180	8x18	16	22,7	100150 45410	100150 65410
100	100	190	330	180	167	235	22	140	190	8x22	25	-	100152 45410	100152 65410
125 (Reduced)	100	200	330	180	167	250	22	153	210	8x18	16	-	100150 45510	100150 65510



POSITION	DENOMINATION	PIECES	MATERIAL
1	Body	1	AISI 304L - 316L
2	Ball	1	AISI 304L - 316L
3	Sleeves	2	AISI 304L - 316L
4	Stem	1	AISI 304L - 316L
5	Ball Seals	2	PTFE Vergine Modificato
6	Sleeve Seals	2	PTFE
7	Flanges	2	AISI 304L - 316L
8	Stem Seal	1	PTFE
9	Stem Seal	1	PTFE
10	Stem or-Seal	1	FKM
11	Register ring	1	AISI 304L (303)
12	Locknut	1	AISI 304L
13	Lever	1	AISI 304L
14	SCREW	1	AISI 304L

15	Handle	1	Resin
----	--------	---	-------

