

## 303050\_T\_STANDARD SEALS\_REVOLVING THREADED FLANGES UNI EN 1092-1



THREE-way ball valve 4 seals with "T" port  
Drive: ISO 5211 - DIN 3337 flange for actuator  
Connection: Revolving threaded flanges UNI EN 1092-1  
Flow: Full and reduced  
Material: Aisi 304L (1.4307) - Aisi 316L (1.4404)  
Measure: from DN10 to DN125  
Seals: Modified Virgin P.T.F.E.  
Operating temperature: -20°C+170°C  
Outer finish: Polished

On request:

Antistatic device ATEX II 2 G-D T4 zone 1-21  
M.O.C.A. CE 1935/2004

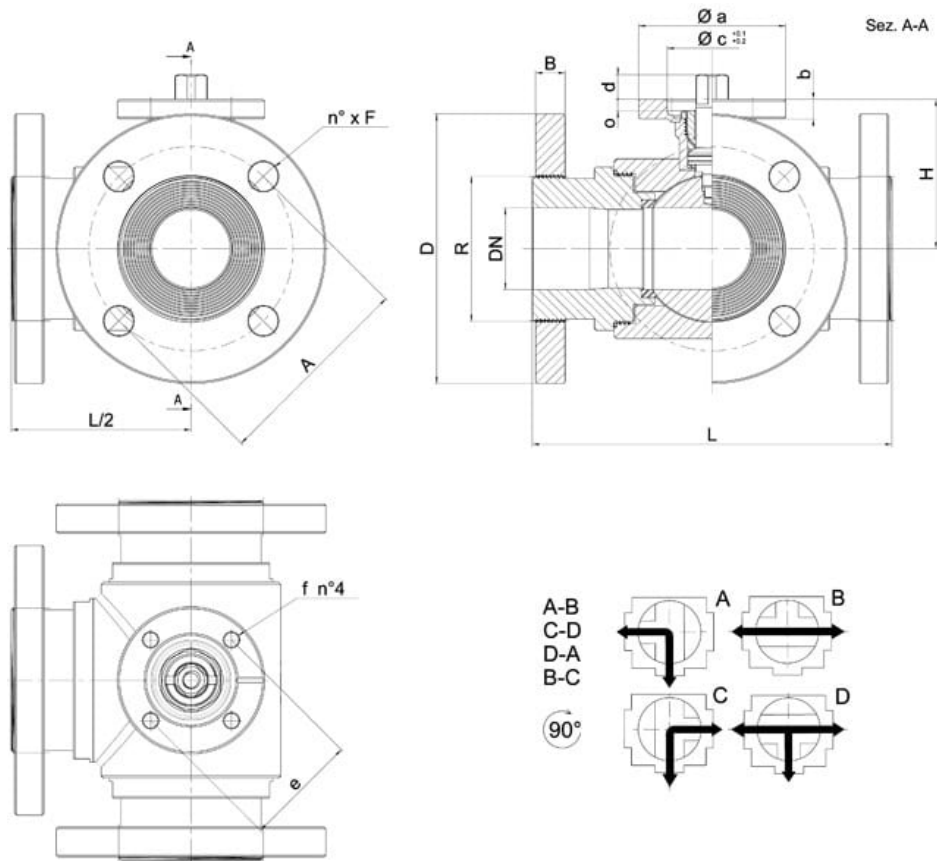
• Seals made of:

PTFE with glass -20°C+170°C

PTFE with carbographite -20°C+180°C

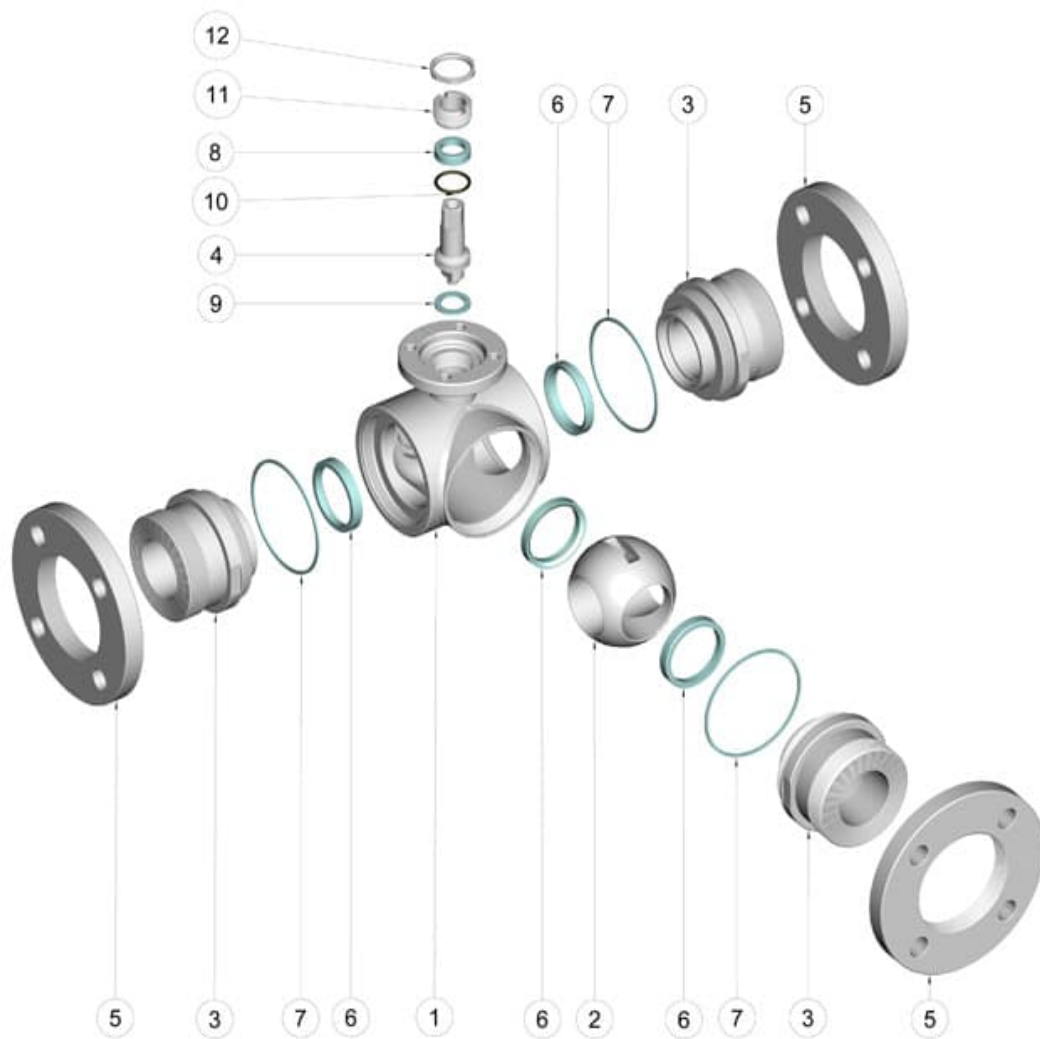
PTFE with inox -20°C+200°C

UHMW High-molecular weight polyethylene -20°C+80°C



DN	DN	L	H	D	B	R	A	n° x F	PN	Kg	ISO-DIN	Ø a	b	Ø c x o	□	d	e	f	n° 4 BOLTS	Nm	COD. AISI 304L	COD. AISI 316L
10	10	120	46,5	90	12	30	60	4 x 14	40	2,67	F.03	46	9	25x3	9	8	36	6	M5x16	10	-	303050 60810
10	10	120	46,5	90	12	30	60	4 x 14	40	2,7	F.04	54	9	30x3	11	10	42	6	M5x16	10	-	303050 6081F
15	15	130	49	95	12	34	65	4 x 14	40	3,23	F.03	46	9	25x3	9	8	36	6	M5x16	12	-	303050 61410
15	15	130	49	95	12	34	65	4 x 14	40	3,27	F.04	54	9	30x3	11	10	42	6	M5x16	12	-	303050 6141F
20	20	140	56,5	105	14	42	75	4 x 14	40	4,76	F.04	54	9	30x3	11	10	42	6	M5x16	23	-	303050 62010
20	20	140	56,5	105	14	42	75	4 x 14	40	4,81	F.05	65	9	35x3	14	13	50	7	M6x16	23	-	303050 6201F
25	25	150	61	115	14	51	85	4 x 14	40	6,15	F.04	54	9	30x3	11	10	42	6	M5x16	25	-	303050 62610
25	25	150	61	115	14	51	85	4 x 14	40	6,65	F.05	65	9	35x3	14	13	50	7	M6x16	25	-	303050 6261F
32	32	180	81,5	140	16	63	100	4 x 18	40	10,45	F.05	65	9	35x4	14	13	50	7	M6x20	33	-	303050 63010
32	32	180	81,5	140	16	63	100	4 x 18	40	10,62	F.07	90	12	55x4	17	15	70	9	M8x20	33	-	303050 6301F
40	40	200	89	150	16	75	110	4 x 18	40	13,8	F.05	65	9	35x4	14	13	50	7	M6x20	40	-	303050 63410
40	40	200	89	150	16	75	110	4 x 18	40	14	F.07	90	12	55x4	17	15	70	9	M8x20	40	-	303050 6341F
50	50	220	91,5	165	18	89	125	4 x 18	40	18,2	F.07	90	12	55x4	17	15	70	9	M8x20	50	-	303050 63810
50	50	220	91,5	165	18	89	125	4 x 18	40	18,7	F.10	125	12	70x4	22	18	102	11	M10x25	50	-	303050 6381F
65 *	65	240	101,5	185	18	110	145	4 x 18	16	23,1	F.07	90	12	55x4	17	15	70	9	M8x20	60	-	303050 64410
65 *	65	240	101,5	185	18	110	145	4 x 18	16	23,6	F.10	125	12	70x4	22	18	102	11	M10x25	60	-	303050 6441F
65 *	65	240	101,5	185	20	110	145	8 x 18	40	23,5	F.07	90	12	55x4	17	15	70	9	M8x20	60	-	303052 64410
65 *	65	240	101,5	185	20	110	145	8 x 18	40	24,1	F.10	125	12	70x4	22	18	102	11	M10x25	60	-	303052 6441F
80 *	80	260	116	200	18	120	160	8 x 18	16	33,1	F.07	90	12	55x4	17	15	70	9	M8x20	110	303050 44810	303050 64810
80 *	80	260	116	200	18	120	160	8 x 18	16	33,6	F.10	125	12	70x4	22	18	102	11	M10x25	110	303050 4481F	303050 6481F
80 *	80	260	116	200	22	120	160	8 x 18	40	-	F.07	90	12	55x4	17	15	70	9	M8x20	110	303052 44810	303052 64810
80 *	80	260	116	200	22	120	160	8 x 18	40	-	F.10	125	12	70x4	22	18	102	11	M10x25	110	303052 4481F	303052 6481F
100 *	100	300	131	220	20	140	180	8 x 18	16	48,6	F.07	90	12	55x4	17	15	70	9	M8x20	130	303050 45410	303050 65410
100 *	100	300	131	220	20	140	180	8 x 18	16	50	F.10	125	12	70x4	22	18	102	11	M10x25	130	303050 4541F	303050 6541F
125 * (Reduced)	100	325	190	250	22	153	210	8 x 18	16	59,76	F.07	90	12	55x4	17	15	70	9	M8x20	130	303050 45510	303050 65510
125 * (Reduced)	100	325	190	250	22	153	210	8 x 18	16	60,26	F.10	125	12	70x4	22	18	102	11	M10x25	130	303050 4551F	303050 6551F

\* = 4 Way



POS.	DENOMINATION	PCS	MAT.
1	Body	1	AISI 304L - 316L
2	Ball	1	AISI 304L - 316L
3	Sleeves	3	AISI 304L - 316L
4	Stem	1	AISI 304L - 316L
5	Flanges	3	AISI 304L - 316L
6	Ball Seals	4	PTFE Vergine Modificato
7	Sleeve Seals	3	PTFE
8	Stem Seal	1	PTFE
9	Stem Seal	1	PTFE
10	Stem or-Seal	1	FKM
11	Register ring	1	AISI 304L (303)
12	Locknut	1	AISI 303

