

YGROS YEV

THE SIMPLEST MAGNETIC CHECK VALVE

FOR FOOD AND BEVERAGE PLANTS



YGROS[®]
VALVES
Let it flow

"YGROS patented technology sets new standards in the world of plant design, thanks to a patented magnetic principle replacing the conventional spring in Non Return Valves"

Suitable for horizontal, vertical up and down installation

For food and beverage plants. Up to 150°C

Finally the Simplest Model of YGROS Magnetic Check Valves



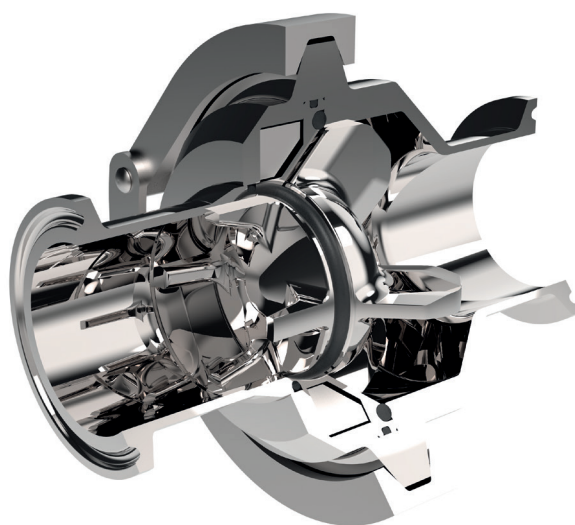
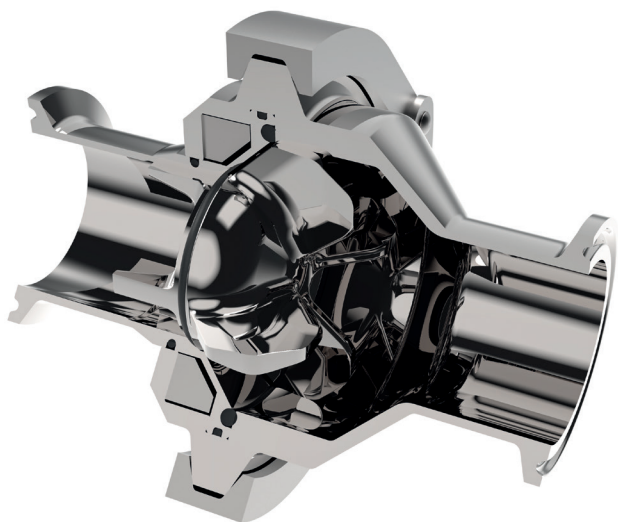
BENEFITS:

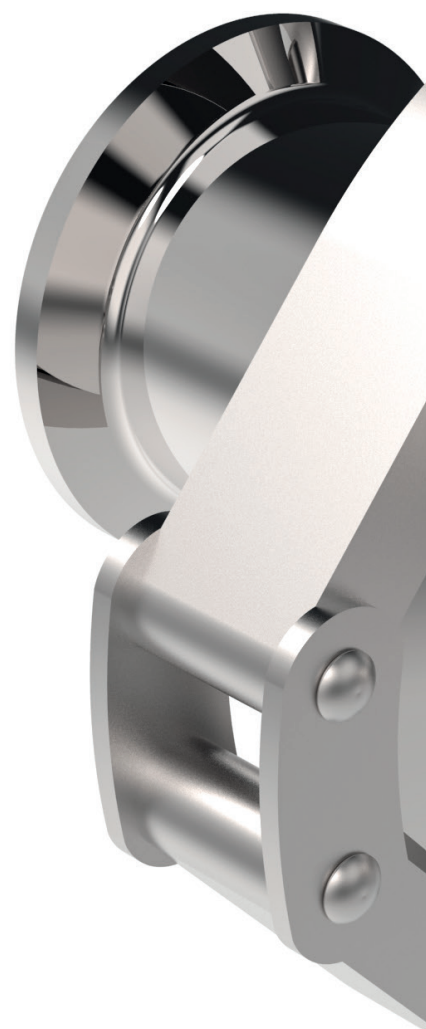
- *Energy Saving:* The innovative working principle and design allow for a smooth flow, minimizing pressure drop
- *Any installation position possible:* unlike other check valves, an Ygros Valve can be installed in horizontal and vertical up and down positions
- *Laminar flow:* no turbulences. This is particularly suitable for carbonated drinks or beer
- *Maintenance free*



TECHNICAL DATA

Product contact materials	Body and flanges: Stainless steel 1.4404 (AISI 316L) Shutter: 1.4462 (Duplex)
Seal material options	EPDM, VMQ (Silicone), FKM (Viton)
Surface finishes	• Internal: Ra ≤ 0.8 • External: Ra ≤ 3.2
End connection options	WELDING DIN 11850 (DIN 11866 Reihe A) WELDING ASME BPE (DIN 11866 Reihe C) TRI-CLAMP ASME BPE
Sizes	From DN15 to DN100 / From ¾" to 4"
Temperature range	-40°C / +150°C
Operating pressure	PN16
Media	Food and beverage, liquid
Certifications (on request)	3.1 / FDA / Surface roughness / EC 1935/2004 / 3-A





CAROLLO SRL

Via Pettinà Luigi, 24 - 36010 ZANE' (VI) ITALY **Tel.** +39 0445 314158 - **Fax** +39 0445 319538

E-mail ygros@ygros.com

Web www.ygros.com

