

YGROS YSV

THE EXTRACTABLE MAGNETIC CHECK VALVE

FOR FLUIDS, STEAM AND GAS



YGROS[®]
VALVES
Let it flow

"YGROS patented technology sets new standards in the world of plant design, thanks to a patented magnetic principle replacing the conventional spring in Non Return Valves"

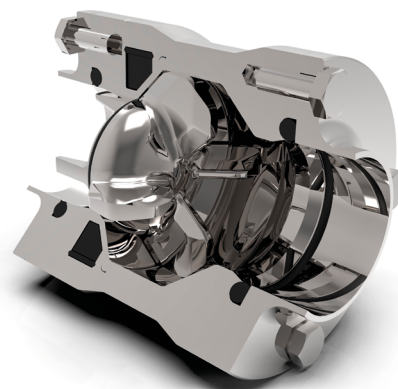
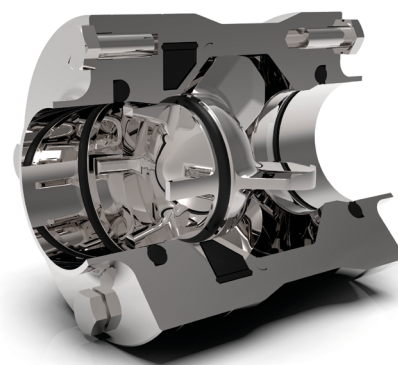
*Suitable for horizontal, vertical up and down installation
For fluids, steam and gas. Up to 150°C*

Finally the Extractable Model of YGROS Magnetic Check Valves



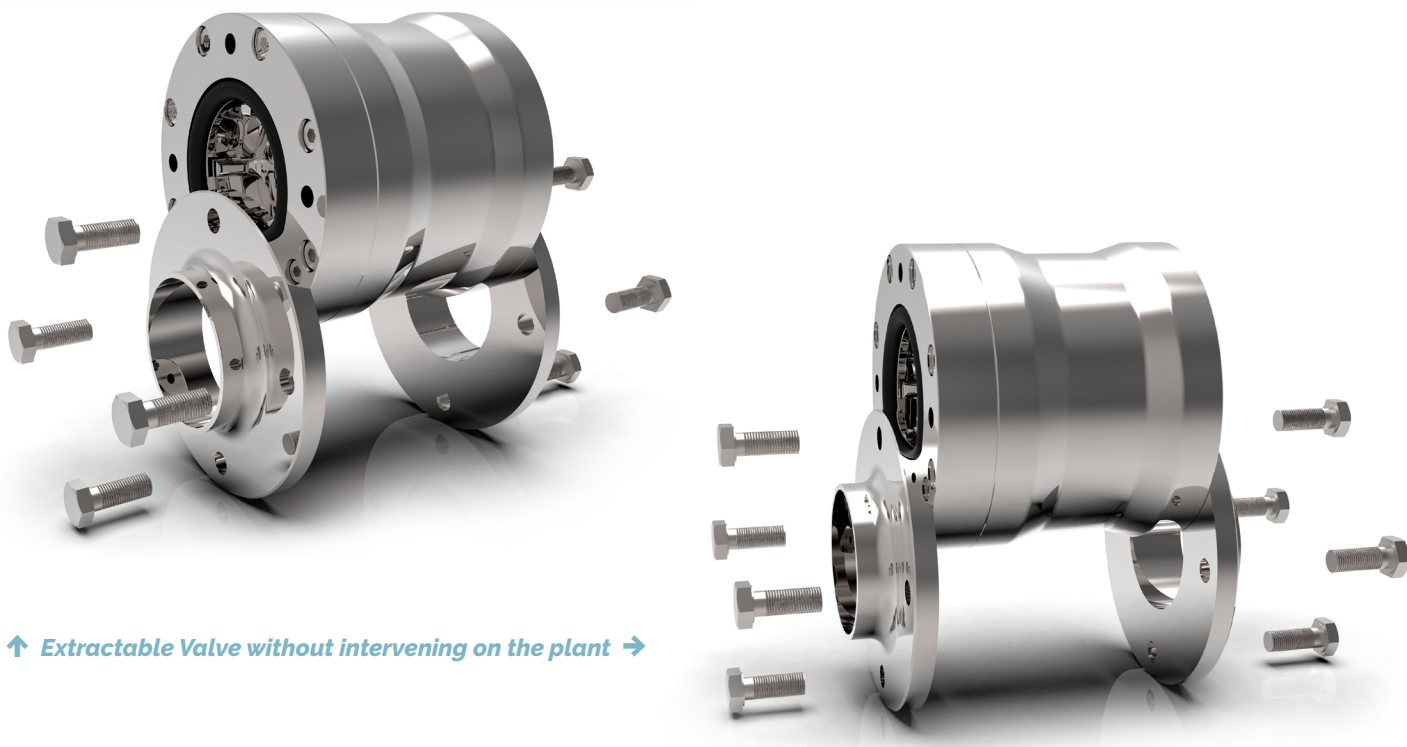
BENEFITS:

- *Energy Saving:* The innovative working principle and design allow for a smooth flow, minimizing pressure drop
- Extractable Valve without intervening on the plant
- *Any installation position possible:* unlike other check valves, an Ygros Valve can be installed in horizontal and vertical up and down positions
- *Laminar flow:* no turbulences
- Maintenance free

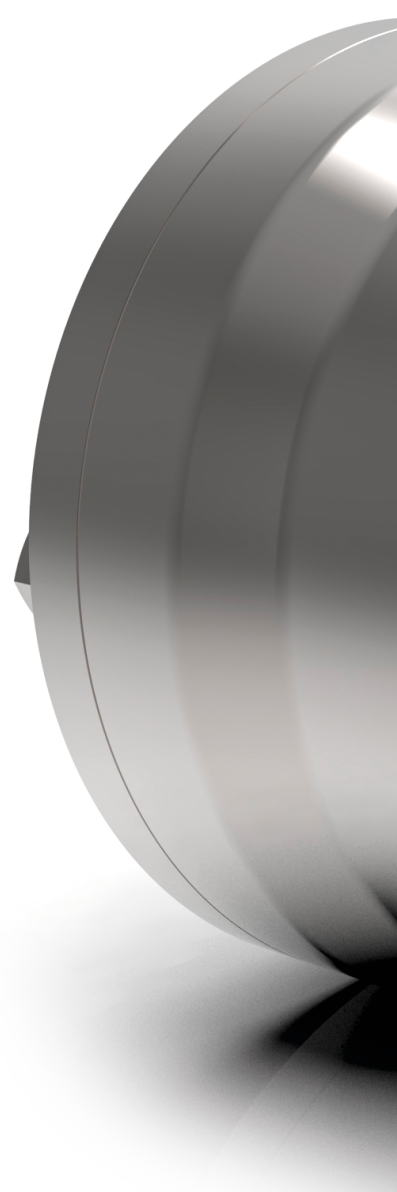


TECHNICAL DATA

Product contact materials	Body and flanges: Stainless steel 1.4404 (AISI 316L) Shutter: 1.4462 (Duplex)
Seal material options	EPDM, NBR, HNBR, VMQ (Silicone), FKM (Viton), FEP, PTFE <small>*If the valve is 3A certified, HNBR, FEP and PTFE are NOT available</small>
Surface finishes	<ul style="list-style-type: none"> • Internal: $Ra \leq 0.8$ (standard), up to $Ra \leq 0.4$ electropolished and passivated (optional) • External: $Ra \leq 3.2$ (standard), up to $Ra \leq 0.4$ electropolished and passivated (optional)
End connection options	WELDING DIN 11850 (DIN 11866 Reihe A) WELDING ASME BPE (DIN 11866 Reihe C)
Sizes	From DN25 to DN100 / From 1" to 4"
Temperature range	-40°C / +150°C
Operating pressure	PN16
Media	Liquid, Gas, Steam
Certifications (on request)	31 / FDA / Surface roughness / EC 1935/2004 / 3-A



↑ Extractable Valve without intervening on the plant →



CAROLLO SRL

Via Pettinà Luigi, 24 - 36010 ZANE' (VI) ITALY **Tel.** +39 0445 314158 - **Fax** +39 0445 319538

E-mail ygros@ygros.com

Web www.ygros.com

