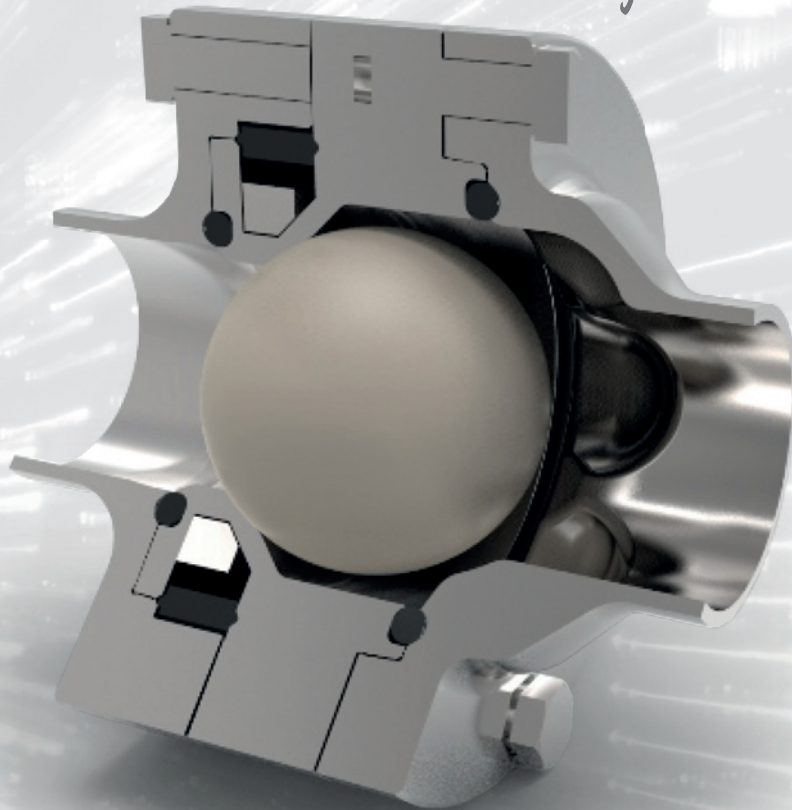


Ygros AGGROBALL: The chemical evolution of Ygros

**Specially engineered for handling of aggressive media.
Extra strong chemical resistance. Springless. Maintenance free**

YGROS[®]
VALVES
Let it flow

AGGROBALL



YGROS **patented technology** sets new standards in the world of plant design, thanks to a patented magnetic principle replacing the conventional spring in Non Return Valves.

Suitable for horizontal, vertical up and down installation (even in vertical pipes with flow down).

For fluids and steam. Up to +150°C.

Finally a really smart solution for your aggressive applications!

BENEFITS AT A GLANCE

- _ **Extra high chemical resistance and longer valve life:** Through solid construction materials (1.4435 and PVDF)
- _ **Safe closing:** Provided by integral magnets
- _ **Any installation position possible:** Unlike other springless check valves, an YGROS Valve can be installed in the horizontal, vertical up and down positions
- _ **Energy saving:** The innovative working principle and design allow for a smooth flow, minimising pressure drop
- _ **Laminar flow:** No turbulence
- _ **Maintenance free**

Technical data

Product contact materials	Body & Flanges: Stainless steel 1.4435 (AISI 316LM), max. <1% ferrite Ball: PVDF
Non product contact materials	Magnet: Neodymium
Seals material options	EPDM, NBR, HNBR, VMQ (Silicone), FKM (Viton), FEP, PTFE
Surface finishes	Internal: Ra $\mu\text{m} \leq 0.8$ External: Ra $\mu\text{m} \leq 3.2$
End connection options	WELDING DIN 11850 (DIN 11866 Reihe A) WELDING ASME BPE (DIN 11866 Reihe C) TRI-CLAMP ASME-BPE
Temperature range	-40°C/+150°C
Operating pressure	PN16 (standard). Further operating pressures on request
Media	Fluids
Certifications (on request)	Materials: (EN10204-3.1)/seals and PVDF Ball (FDA – USP VI) Surface roughness EC 1935/2004

