

## Atomo 3.0

Compact table top three plungers lab homogenizer for reliable scale up from test to production also abrasive and viscous product.

Also available in Atex configuration

Powered By Interpump Group



### MODEL TABLE\* | MAXIMUM CAPACITY (l/h)\*\* | LINKED TO THE RELATED PRESSURE (bar)

MODELS	POWER kW	PRESSURE bar	600	1000	1500
ATOMO 3.0	4	CAPACITY l/h	200	100	30

\*Values referring to machines with fixed capacity

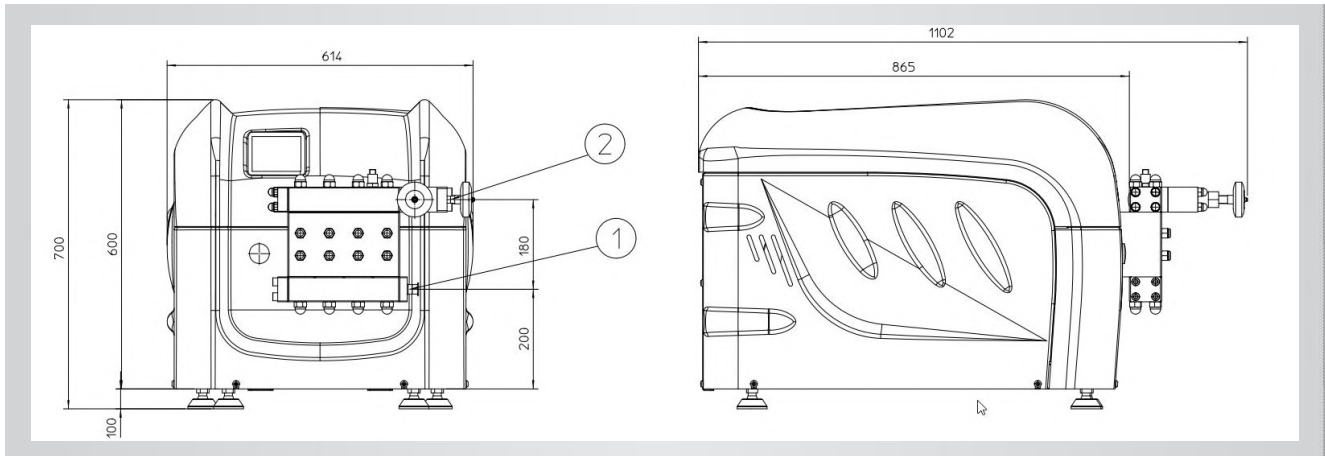
\*\*Values referring to products with a max viscosity of 500Cp and feeding pump

### TECHNICAL DATA

Plunger number	3
Weight (Kg)	180
Water consumption (l/h)	30
Lubrication oil quantity (kg)	(SAE 85W-90) 2
Connections product inlet/outlet	Welding flanges DIN 11851

Design according to MACHINE DIRECTIVES and the HARMONIZED EUROPEAN STANDARD in force.





## FEATURES

Three plungers table top homogenizer

Super duplex (SAF2507) multi block compression head

Tungsten carbide pumping plungers

Pumping group with tungsten carbide seat and stellite balls

Double stage homogenizing group handwheel regulated with tungsten carbide homogenizing valves

Direct Drive System

Splash lubrication system

Die cast aluminium crankcase and nitrurized crankshaft

Micro PLC control panel, prearranged for remote control

Standard 1 liter feeding hopper for 1500 bar version

## MAIN OPTIONS

Aseptic execution

- Sterile water generator by means of steam condenser
- Patent pending sterile water generator by means of Microfiltration

3A, EHEDG compliant and PHARMA design

- Low roughness and electropolished wettables
- Certification manual for cGMP

Ceramic homogenizing valve, pistons and ball valves

External power board for variable capacity

Inlet and outlet connections

- DIN 11851, Tri Clamp, SMS
- High pressure outlet
- On special request

Explosion proof design - Stainless steel frame

Sound proof design

Vibration and temperature monitoring and alarm

Skid Version with feeding system and temperature control

Vibration and temperature monitoring and alarm



\*\*\*Technical specifications are not mandatory and subject to change without notice.

REV3-01/21-EN

