

Model HA/PA33

Raffaello Series



MODEL TABLE | MAXIMUM CAPACITY(l/h)* | LINKED TO THE RELATED PRESSURE (bar)

MODELS	POWER kW	PRESSURE bar	150	200	250	400	600	1.000	1.200	1.500
HA/PA33	45	CAPACITY l/h	8.500	6.500	5.000	3.000	1.800	1.000	700	600

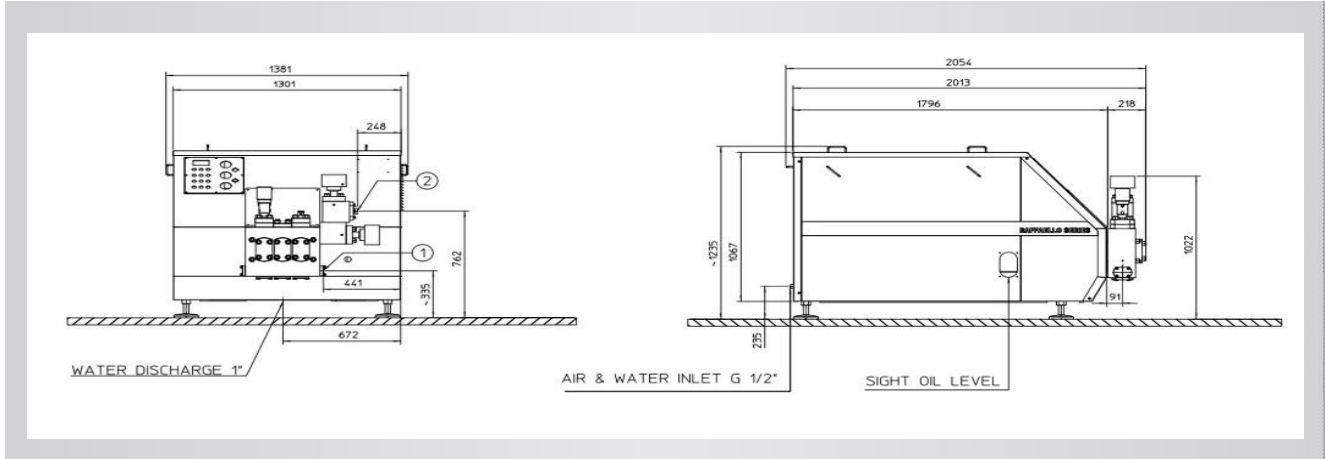
*Values referring to products with a max viscosity of 500Cp

TECHNICAL DATA

Plunger number	3
Stroke (mm)	70
Weight (Kg)	1.670
Water consumption (l/h)	200
Lubrication oil quantity (kg)	25
Product inlet/outlet	Socket weld flange \varnothing e52 \varnothing i46 / \varnothing e40 \varnothing i35

Design according to MACHINE DIRECTIVES and the HARMONIZED EUROPEAN STANDARD in force.





FEATURES

- Forged block made of Duplex, SAF2205, Self-alignment patented system, 3 Plungers made of AISI630L covered by chrome
- Double stage transmission system with pendular gear reducer and trapezoidal belts and pulleys
- Homogenizing group with hydro-pneumatic adjustment of the pressure for a great stability and homogenizing valves in stellite™
- Conical valve seat and poppet valves made of stellite 20™
- Overpressure valve, flow switch alarm on water circuit
- Digital pressure transmitter, 4-20 mA, with ceramic membrane
- Forced lubrication system with pressure switch, cast iron crankcase with supporting roller bearings
- Terminal box and control panel for local/remote control
- Friendly maintenance of the liquid end

OPTIONS

<p>Second stage homogenizing group</p> <p>Forged multi-block made of Super Duplex, SAF2507</p> <p>Aseptic execution</p> <ul style="list-style-type: none"> • Sterile water generator by means of condensed steam generator • Patent pending sterile water generator by means of microfiltration <p>Design suitable with: 3A, EHEDG or PHARMA</p> <ul style="list-style-type: none"> • Low roughness and electropolished wetted parts • cGMP certificates to add to Customer Pharma Manual <p>Standard or Sharp Edge Homogenizing valve with different geometries, materials availability:</p> <ul style="list-style-type: none"> • Tungsten carbide • Zirconia Oxide • High efficiency patented homogenizing valve "Margherita" <p>Seat valve made of Tungstene carbide</p>	<p>Vibration and temperature monitoring and alarm</p> <p>Pumping plungers availability:</p> <ul style="list-style-type: none"> • HVOF chromium carbide jet coat treatment • AL2O3, Integral ceramics <p>Electric power board</p> <ul style="list-style-type: none"> • for Fixed or Variable capacity • Remote Control by 4-20 mA signal • Fully Automatic pressure control by means of PLC <p>Inlet and outlet connections:</p> <ul style="list-style-type: none"> • DIN 11851, Tri-clamp, SMS • High pressure outlet • Option upon request <p>Explosion proof design</p> <p>Sound-proof design</p>
--	---

***Technical specifications are not mandatory and subject to change without notice. REV-01/2021-EN

