



Centrifugal Sanitary Pumps

CL-CLC series

Standard design

Available in a wide range of models with closed or open impellers and 2 or 4 pole motors, this well-established series of hygienic pumps can perform an amazing number of applications. The special construction with hand-nuts & clamps allows easy disassembly for inspection and cleaning of the internal components

Wetted parts are in forged polished plate and investment cast electropolished AISI 316 stainless steel.

Flow rates up to 90 m³/h, heads up to max. 50 m. (5 bar).

Seals:

- Mechanical seals with seats to EN 12756, ISO 3069 standards.
- Single internal mechanical seal
- Single external mechanical seal
- Double flushed mechanical seal

Elastomers (certified to FDA)::

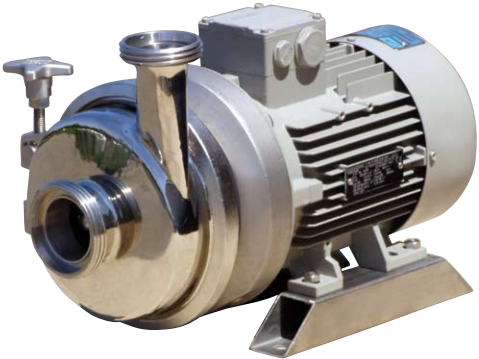
- EPDM
- Fluorocarbon (Viton)
- Silicone
- P.T.F.E. (FEP)

Connections:

DIN - SMS - IDF - BS / RJT - DS - CLAMP and EN 1092-1 PN16 flanges suitable for most international standards.

Applications

Food processing, dairy, beverage, chemical, cosmetics and pharmaceutical industries. With an open impeller, juices, creams, ice-cream mix, milk, wine, spirits and whey, can be safely transferred at low pressure. While with a higher efficiency closed impeller, clean liquids without solids can be pumped at medium-high heads (max. 40-50 m) to feed pasteurizers and coolers, concentrators, filters, CIP systems, etc.



CL-CLC pump



CL-CLC pump with shroud



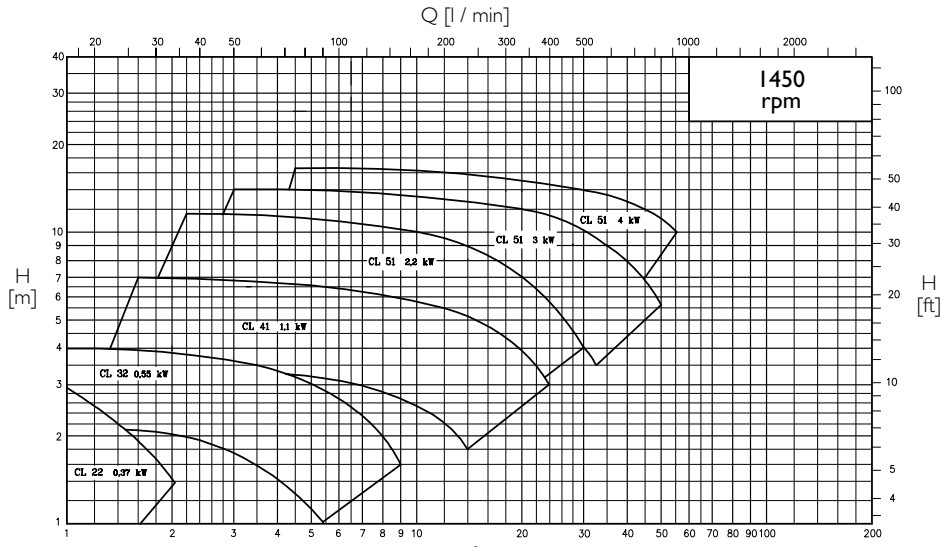
Open

Closed in 2 pieces

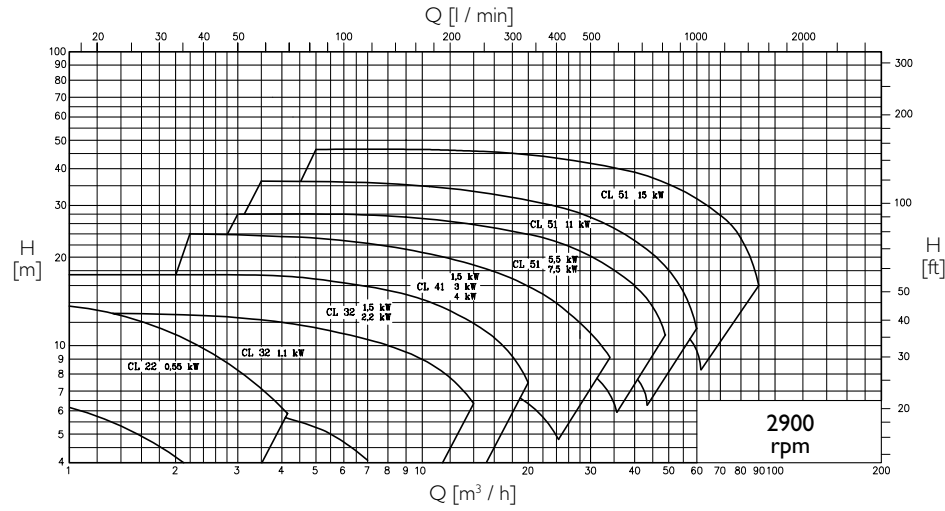
Closed

All impellers, both closed and open, have reversed blades, designed to optimize the hydraulic efficiency.

OPEN IMPELLER



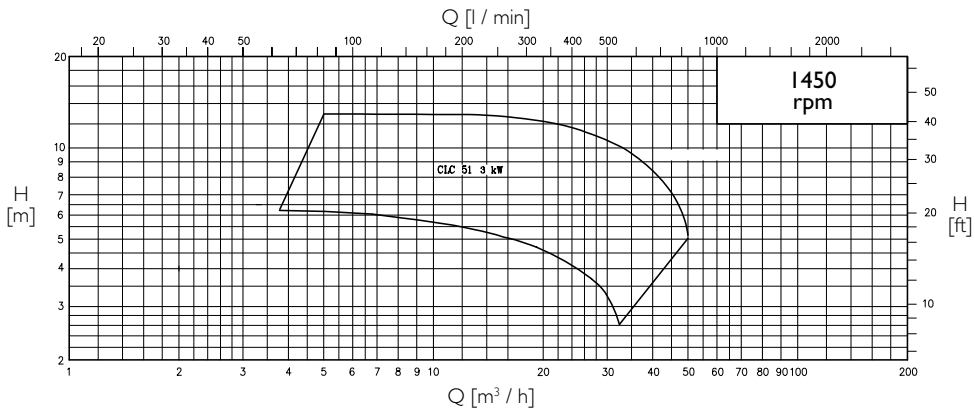
CL GENERAL DIAGRAM



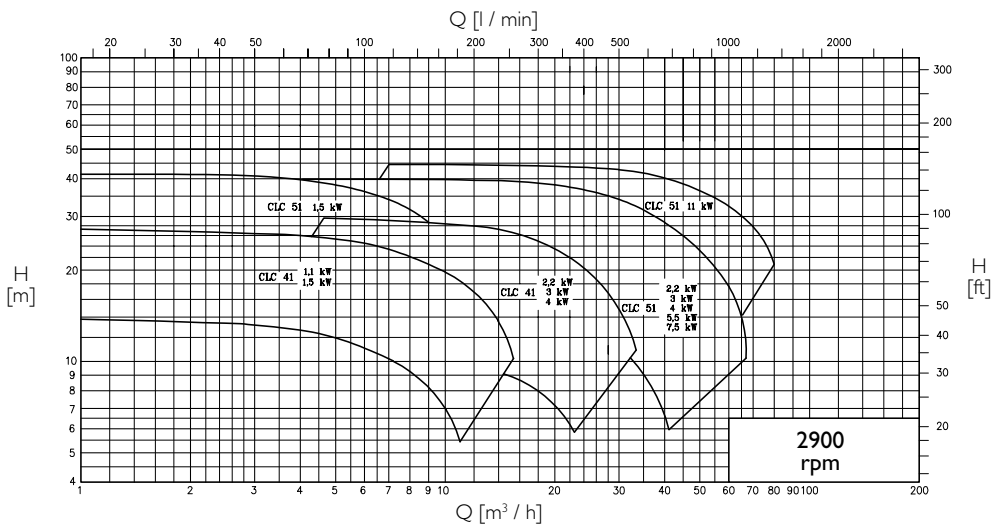
Performance applies to H₂O at 20 °C, 1013 millibar

Data not binding.

CLOSED IMPELLER



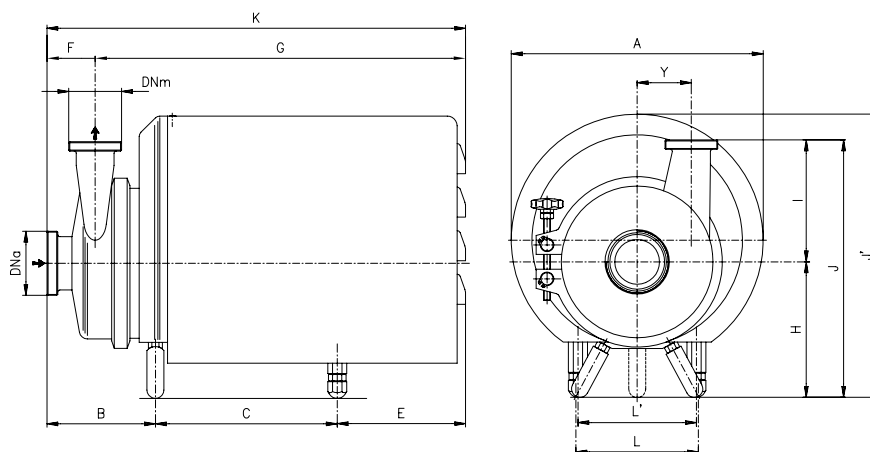
CLC GENERAL DIAGRAM



Performance applies to H₂O at 20 °C, 1013 millibar

Data not binding.

OVERALL DIMENSIONS (INCLUDING SHROUD)



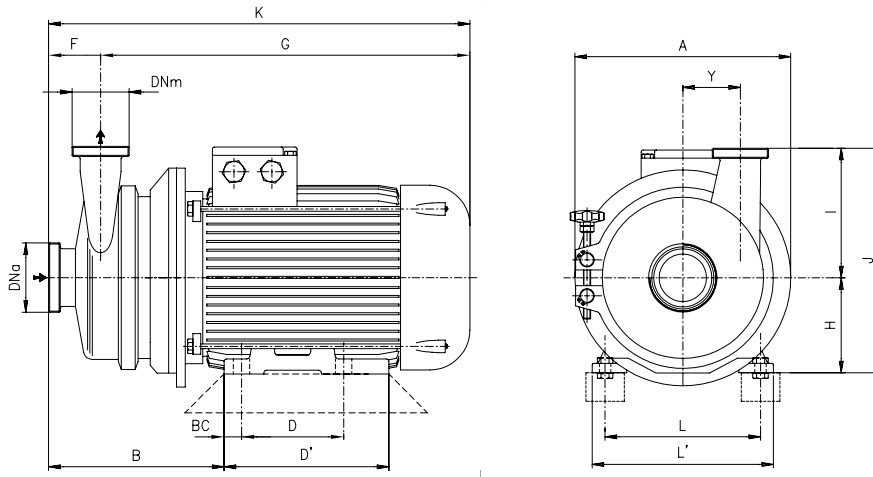
Dimensions not binding - DN = DIN 11851 male threaded connections

| Pumps | rpm | kW | DNa | DNm | A | B | C | E | F | G | K | H | I | J | J' | L | L' | Y |
|-----------|------|------|-----|-----|-----|-------|-----|-------|----|-----|-----|----|----|-----|-----|-----|-----|---|
| CL 22../P | 1450 | 0,37 | 25 | 25 | 212 | 165 | 90 | 138 | 52 | 340 | 392 | 71 | 95 | 166 | 205 | 112 | 136 | 0 |
| CL 22../P | 2900 | 0,55 | 25 | 25 | 212 | 165 | 90 | 138 | 52 | 340 | 392 | 71 | 95 | 166 | 205 | 112 | 136 | 0 |
| CL 22../P | 2900 | 0,75 | 25 | 25 | 212 | 172,5 | 100 | 122,5 | 45 | 340 | 392 | 80 | 95 | 175 | 214 | 125 | 155 | 0 |

| Pumps | rpm | kW | DNa | DNm | A | B | C | E | F | G | K | H | I | J | J' | L | L' | Y |
|------------|-----|------|-----|-----|-----|-----|-----|-----|-----|-------|-------|-----|-----|-----|-------|-----|----|----|
| CL 32../P | | 0,55 | 40 | 40 | 239 | 120 | 195 | 177 | 51 | 437,5 | 479,5 | 155 | 125 | 280 | 305,8 | 200 | - | 40 |
| CL 41../P | 1,1 | 50 | 40 | 298 | 159 | 168 | 180 | 62 | 445 | 507 | 160 | 150 | 310 | 324 | 190 | - | 60 | |
| CL 51../P | 2,2 | 65 | 50 | 298 | 154 | 188 | 219 | 66 | 495 | 561 | 165 | 180 | 375 | 359 | 180 | - | 80 | |
| | 3 | 65 | 50 | 298 | 173 | 188 | 219 | 72 | 508 | 580 | 195 | 180 | 375 | 359 | 180 | - | 80 | |
| CLC 51../P | 4 | 80 | 65 | 298 | 177 | 195 | 212 | 76 | 508 | 584 | 195 | 200 | 395 | 359 | 180 | - | 70 | |
| | 3 | 80 | 65 | 298 | 177 | 188 | 219 | 76 | 508 | 584 | 195 | 200 | 395 | 359 | 180 | - | 70 | |
| | 4 | 80 | 65 | 298 | 177 | 188 | 219 | 76 | 508 | 584 | 195 | 200 | 395 | 359 | 180 | - | 70 | |

| | | | | | | | | | | | | | | | | | | |
|------------|----------|-----|----|-----|-----|-----|-----|-----|-----|-------|-------|-----|-----|-----|-------|-----|-----|----|
| CL 32../P | 2900 rpm | 1,1 | 32 | 32 | 239 | | 205 | 177 | 51 | | | 155 | 125 | 280 | | 200 | - | 40 |
| | | 1,5 | 32 | 32 | 239 | 120 | 205 | 177 | 51 | 437,5 | 479,6 | 155 | 125 | 280 | 305,8 | 200 | - | 40 |
| | | 2,2 | 40 | 40 | 239 | | 235 | 133 | 51 | | | 155 | 125 | 280 | | 200 | - | 40 |
| CL 41../P | 2900 rpm | 1,5 | 40 | 32 | 298 | 143 | 192 | 152 | 56 | 431 | 487 | 160 | 150 | 310 | 330 | 190 | - | 60 |
| | | 3 | 50 | 40 | 298 | 143 | 217 | 192 | 56 | 496 | 552 | 160 | 150 | 310 | 324 | 168 | - | 60 |
| | | 4 | 50 | 40 | 298 | 143 | 224 | 185 | 56 | 496 | 552 | 160 | 150 | 310 | 324 | 168 | - | 60 |
| CL 51../P | 2900 rpm | 5,5 | 65 | 50 | 368 | 147 | 228 | 232 | 66 | 541 | 607 | 200 | 180 | 380 | 416 | 178 | 115 | 80 |
| | | 7,5 | 65 | 50 | 368 | 147 | 228 | 232 | 66 | 541 | 607 | 200 | 180 | 380 | 416 | 178 | 115 | 80 |
| | | 11 | 65 | 50 | 368 | 147 | 211 | 249 | 66 | 541 | 607 | 200 | 180 | 380 | 416 | 178 | 185 | 80 |
| | | 15 | 80 | 65 | 368 | 170 | 211 | 249 | 74 | 541 | 615 | 200 | 200 | 400 | 416 | 178 | 185 | 70 |
| CLC 41../P | 2900 rpm | 1,1 | 40 | 32 | 298 | 142 | 162 | 186 | 56 | 434 | 490 | 160 | 150 | 310 | 324 | 190 | - | 60 |
| | | 1,5 | 40 | 32 | 298 | 142 | 168 | 180 | 56 | 434 | 490 | 160 | 150 | 310 | 324 | 190 | - | 60 |
| | | 2,2 | 50 | 40 | 298 | 142 | 193 | 155 | 62 | 434 | 490 | 160 | 150 | 310 | 324 | 190 | - | 60 |
| | | 3 | 50 | 40 | 298 | 151 | 217 | 192 | 62 | 498 | 560 | 160 | 150 | 310 | 324 | 168 | - | 60 |
| | | 4 | 50 | 40 | 298 | 151 | 224 | 185 | 62 | 498 | 560 | 160 | 150 | 310 | 324 | 168 | - | 60 |
| CLC 51../P | 2900 rpm | 1,5 | 25 | 25 | 298 | 127 | 165 | 180 | 52 | 420 | 472 | 165 | 160 | 325 | 329 | 152 | - | 80 |
| | | 2,2 | 32 | 32 | 298 | 137 | 165 | 180 | 61 | 420 | 481 | 165 | 160 | 325 | 329 | 152 | - | 80 |
| | | 3 | 50 | 40 | 298 | 150 | 188 | 220 | 63 | 495 | 558 | 195 | 160 | 355 | 359 | 180 | - | 80 |
| | | 4 | 50 | 50 | 298 | 161 | 195 | 212 | 66 | 501 | 567 | 195 | 180 | 375 | 359 | 180 | - | 80 |
| | | 5,5 | 65 | 50 | 368 | 157 | 228 | 231 | 69 | 547 | 616 | 200 | 180 | 380 | 416 | 178 | 115 | 80 |
| | | 7,5 | 65 | 50 | 368 | 157 | 228 | 231 | 69 | 547 | 616 | 200 | 180 | 380 | 416 | 178 | 115 | 80 |
| | 11 | 65 | 65 | 368 | 162 | 211 | 253 | 74 | 552 | 626 | 200 | 200 | 400 | 416 | 178 | 185 | 70 | |

OVERALL DIMENSIONS



Dimensions not binding - DN = DIN 11851 male threaded connections

| Pumps | rpm | kW | DNa | DNm | ØA | B | BC | D | D' | F | G | K | H | I | J | L | L' | Y |
|-------|------|------|-----|-----|-----|-----|------|-----|-----|----|-----|-----|----|----|-----|-----|-----|---|
| CL 22 | 1450 | 0,37 | 25 | 25 | 141 | 155 | 10 | 90 | 110 | 52 | 278 | 330 | 71 | 95 | 166 | 112 | 136 | 0 |
| CL 22 | 2900 | 0,55 | 25 | 25 | 141 | 155 | 10 | 90 | 110 | 52 | 278 | 330 | 71 | 95 | 166 | 112 | 136 | 0 |
| CL 22 | 2900 | 0,75 | 25 | 25 | 141 | 160 | 12,5 | 110 | 125 | 52 | 298 | 350 | 80 | 95 | 175 | 125 | 155 | 0 |

| Pumps | rpm | kW | DNa | DNm | ØA | B | BC | D | D' | F | G | K | H | I | J | L | L' | Y |
|--------|-----|------|-----|-----|-----|-----|------|-----|-----|-----|-----|-----|-----|-----|-----|-----|-----|----|
| CL 32 | | 0,55 | 40 | 40 | 155 | 168 | 12,5 | 100 | 118 | 51 | 314 | 365 | 80 | 125 | 205 | 125 | 150 | 40 |
| CL 41 | 1,1 | 50 | 40 | 200 | 212 | 15 | 100 | 143 | 62 | 391 | 453 | 90 | 150 | 240 | 140 | 165 | 60 | |
| CL 51 | 2,2 | 65 | 50 | 254 | 211 | 20 | 140 | 176 | 66 | 415 | 481 | 100 | 180 | 280 | 160 | 196 | 80 | |
| | 3 | 65 | 50 | 254 | 230 | 20 | 140 | 176 | 72 | 428 | 500 | 100 | 180 | 280 | 160 | 196 | 80 | |
| CLC 51 | 4 | 80 | 65 | 254 | 241 | 20 | 140 | 176 | 76 | 449 | 525 | 112 | 200 | 312 | 190 | 226 | 70 | |
| | 3 | 80 | 65 | 254 | 241 | 18 | 140 | 176 | 76 | 428 | 504 | 100 | 200 | 300 | 160 | 196 | 70 | |
| | 4 | 80 | 65 | 254 | 243 | 18 | 140 | 176 | 76 | 449 | 525 | 112 | 200 | 312 | 190 | 226 | 70 | |

| | | | | | | | | | | | | | | | | | |
|--------|-----|----|----|-----|-----|------|-----|-----|----|-----|-----|-----|-----|-----|-----|-----|----|
| CL 32 | 1,1 | 32 | 32 | 155 | 168 | 12,5 | 100 | 118 | 51 | 314 | 365 | 80 | 125 | 205 | 125 | 150 | 40 |
| | 1,5 | 32 | 32 | 155 | 172 | 15 | 100 | 143 | 51 | 362 | 413 | 90 | 125 | 215 | 140 | 165 | 40 |
| | 2,2 | 40 | 40 | 155 | 172 | 15 | 125 | 143 | 51 | 362 | 413 | 90 | 125 | 215 | 140 | 165 | 40 |
| CL 41 | 1,5 | 40 | 32 | 200 | 195 | 15 | 100 | 143 | 56 | 380 | 436 | 90 | 150 | 240 | 140 | 165 | 60 |
| | 3 | 50 | 40 | 250 | 199 | 20 | 140 | 176 | 56 | 413 | 469 | 100 | 150 | 250 | 160 | 196 | 60 |
| CL 51 | 4 | 50 | 40 | 250 | 206 | 20 | 140 | 176 | 56 | 434 | 490 | 112 | 150 | 262 | 190 | 226 | 60 |
| | 5,5 | 65 | 50 | 300 | 230 | 24 | 140 | 176 | 68 | 472 | 540 | 132 | 180 | 312 | 216 | 256 | 80 |
| | 7,5 | 65 | 50 | 300 | 230 | 24 | 140 | 176 | 68 | 472 | 540 | 132 | 180 | 312 | 216 | 256 | 80 |
| CLC 41 | 11 | 65 | 50 | 300 | 241 | 20 | 178 | 220 | 66 | 536 | 602 | 132 | 180 | 312 | 216 | 260 | 80 |
| | 15 | 80 | 65 | 300 | 249 | 20 | 178 | 220 | 74 | 536 | 610 | 132 | 200 | 432 | 216 | 260 | 70 |
| | 1,1 | 40 | 32 | 200 | 191 | 12,5 | 100 | 118 | 56 | 332 | 388 | 80 | 150 | 230 | 125 | 150 | 60 |
| CLC 51 | 1,5 | 40 | 32 | 200 | 195 | 15 | 100 | 143 | 56 | 380 | 436 | 90 | 150 | 240 | 140 | 165 | 60 |
| | 2,2 | 50 | 40 | 200 | 195 | 15 | 125 | 143 | 62 | 380 | 436 | 90 | 150 | 240 | 140 | 165 | 60 |
| | 3 | 50 | 40 | 250 | 207 | 20 | 140 | 176 | 62 | 415 | 477 | 100 | 150 | 250 | 160 | 196 | 60 |
| | 4 | 50 | 40 | 250 | 214 | 20 | 140 | 176 | 62 | 436 | 498 | 112 | 150 | 262 | 190 | 226 | 60 |
| CLC 51 | 1,5 | 25 | 25 | 254 | 181 | 15 | 100 | 143 | 52 | 370 | 422 | 90 | 160 | 250 | 140 | 165 | 80 |
| | 2,2 | 32 | 32 | 254 | 191 | 15 | 125 | 143 | 61 | 370 | 431 | 90 | 160 | 250 | 140 | 165 | 80 |
| | 3 | 50 | 40 | 254 | 207 | 20 | 140 | 176 | 63 | 415 | 478 | 100 | 160 | 260 | 160 | 196 | 80 |
| | 4 | 50 | 50 | 254 | 224 | 20 | 140 | 176 | 66 | 442 | 508 | 112 | 180 | 272 | 190 | 226 | 80 |
| | 5,5 | 65 | 50 | 300 | 241 | 24 | 140 | 180 | 72 | 478 | 550 | 132 | 180 | 312 | 216 | 256 | 80 |
| | 7,5 | 65 | 50 | 300 | 241 | 24 | 140 | 180 | 72 | 478 | 550 | 132 | 180 | 312 | 216 | 256 | 80 |
| | 11 | 65 | 65 | 300 | 249 | 20 | 178 | 220 | 74 | 536 | 610 | 132 | 200 | 332 | 216 | 260 | 70 |




CSF Inox S.p.A. Strada per Bibbiano, 7 - 42027 Montecchio E. (RE) - ITALY EU
 Ph +39.0522.869911 ra. - Fx +39.0522.865454 / 866758 - csfitalia@csf.it - www.csf.it

Export Department • Commercial Étranger • Comercial Extranjero
 Ph +39.0522.869922 - Fx +39.0522.869841 - csfexport@csf.it - www.csf.it



SISTEMA DI GESTIONE CERTIFICATO
Reg. n. 066
UNI EN ISO 9001:2008

All the instructions, data and representations (in whatever way executed) listed in this publication are indicative and do not binding. CSF does not stand surety or undertake any obligation for the utilisation of this document and for the information contained. In particular, it does not guarantee against omissions or errors of the data and drawings here indicated.
 Notice that the technical specifications, information and representations in this document are merely indicative and approximate. CSF INOX reserves the right at any moment and without notice to modify the data, drawings and information indicated in this document.