



Centrifugal Sanitary Pumps

CS - CSX series

Standard design

Closed coupled hygienic centrifugal pumps with open impellers. CS Series pumps meet the highest requirements of the food, pharmaceutical, chemical and water treatment industries.

The pumps are designed to a modular concept, resulting in a large number of models and a massive performance range. When combined with the extremely robust construction, these highly efficient pumps become ideal for any hygienic process system.

Wetted parts in CF-3M 1.4404 / AISI 316L stainless steel, investment cast and electro-chemically polished.

Special internal finishes to 0,5 micron Ra are available on request (not on sizes 125 to 150).

Separate IEC standard motor.

Flow rates up to 500 m³/h, heads up to 100 m (10 bar); high performance, with low NPSH values.

The clamp casing and seal design allows quick disassembly for inspection, cleaning and maintenance. It also enables the delivery port to be rotated to any position for easy installation (not on sizes 125 to 150).

For aggressive products and environments, CS pumps can on special request, be manufactured in the following materials:

- Sanicro 28 (1.4563)
- Duplex SAF 2507 (1.4410)
- Hastalloy C276

Seals:

Mechanical seals with seats to EN 12756, ISO 3069 standards.

Single internal mechanical seal

Single external mechanical seal

Double flushed mechanical seal

Elastomers (certified to FDA):

EPDM

Fluorocarbon (Viton)

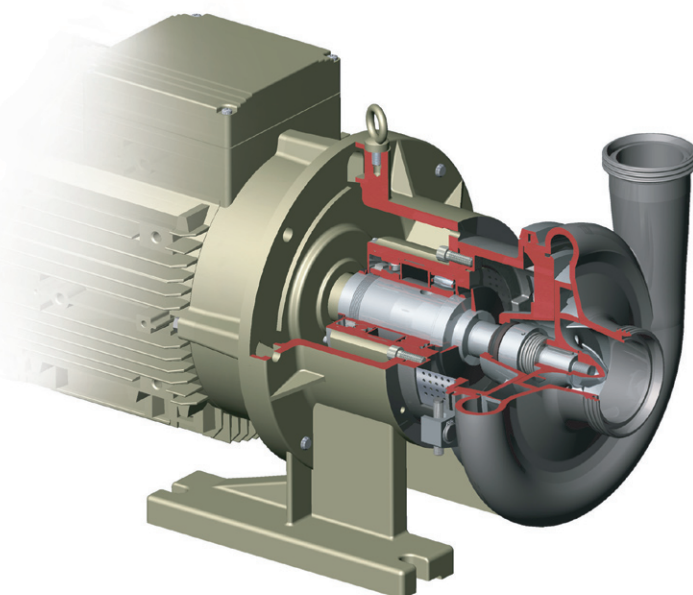
Silicone

P.T.F.E. (Fep)

Special version equipped with an inducer in the suction port. This device is fitted immediately upstream of the impeller to reduce the NPSH required by the pump.



CS pump with shroud and adjustable feet.



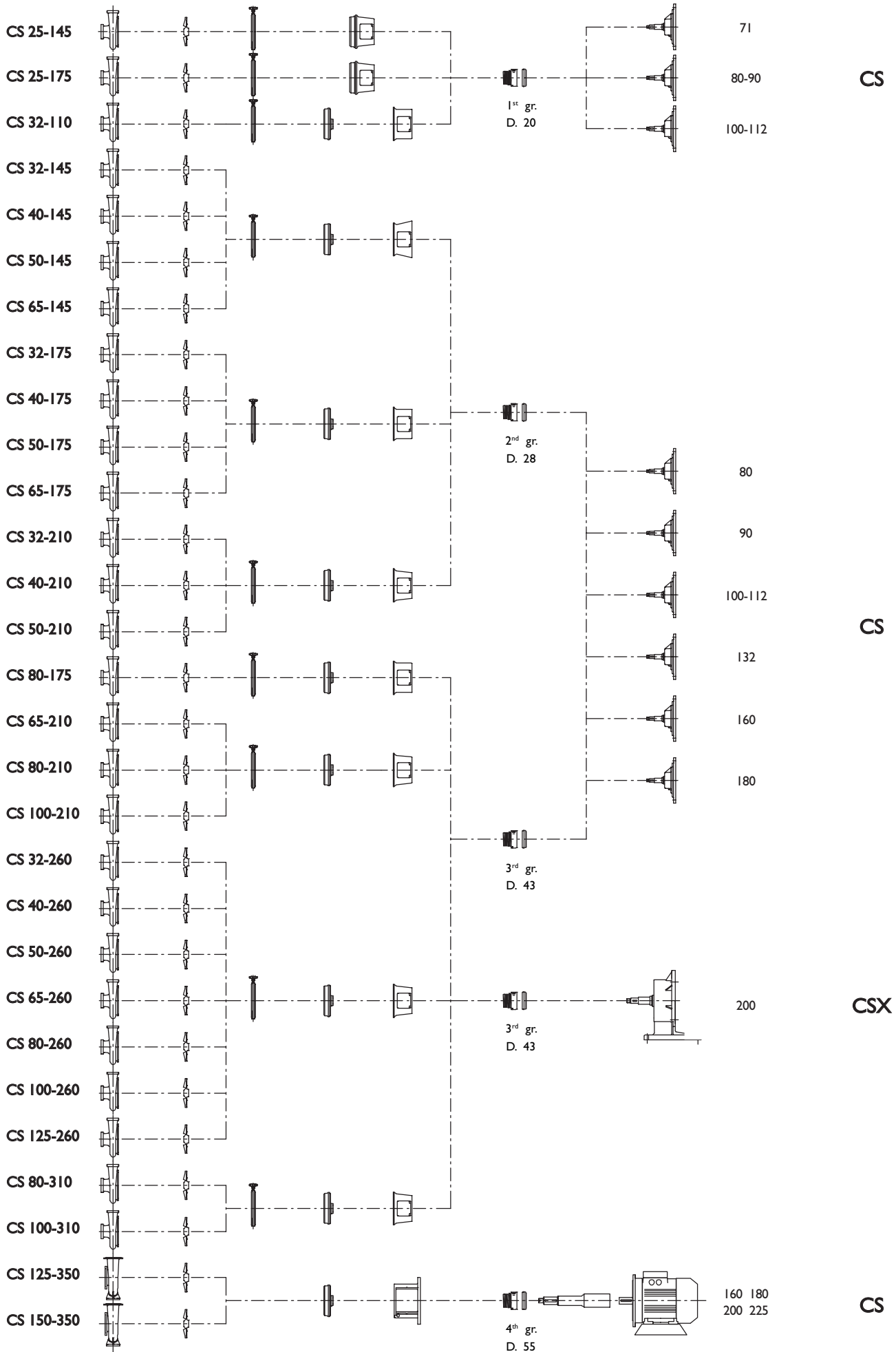
CS pump X execution

Close coupled centrifugal pumps with separate support frame and grease lubricated bearings, for extremely arduous applications.

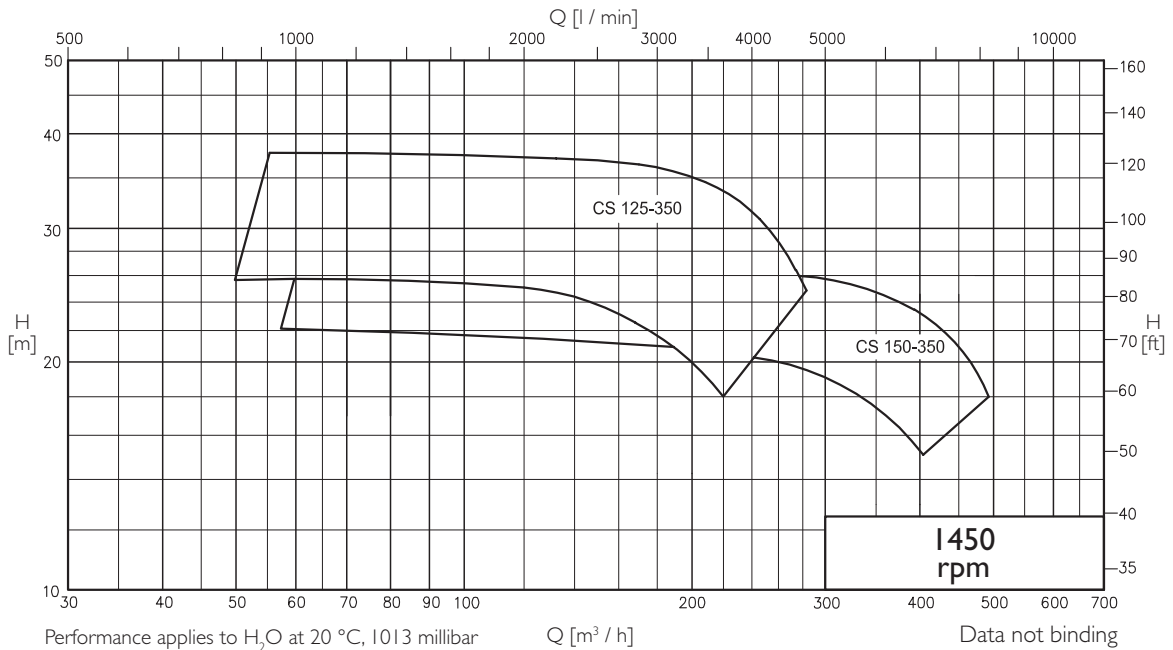
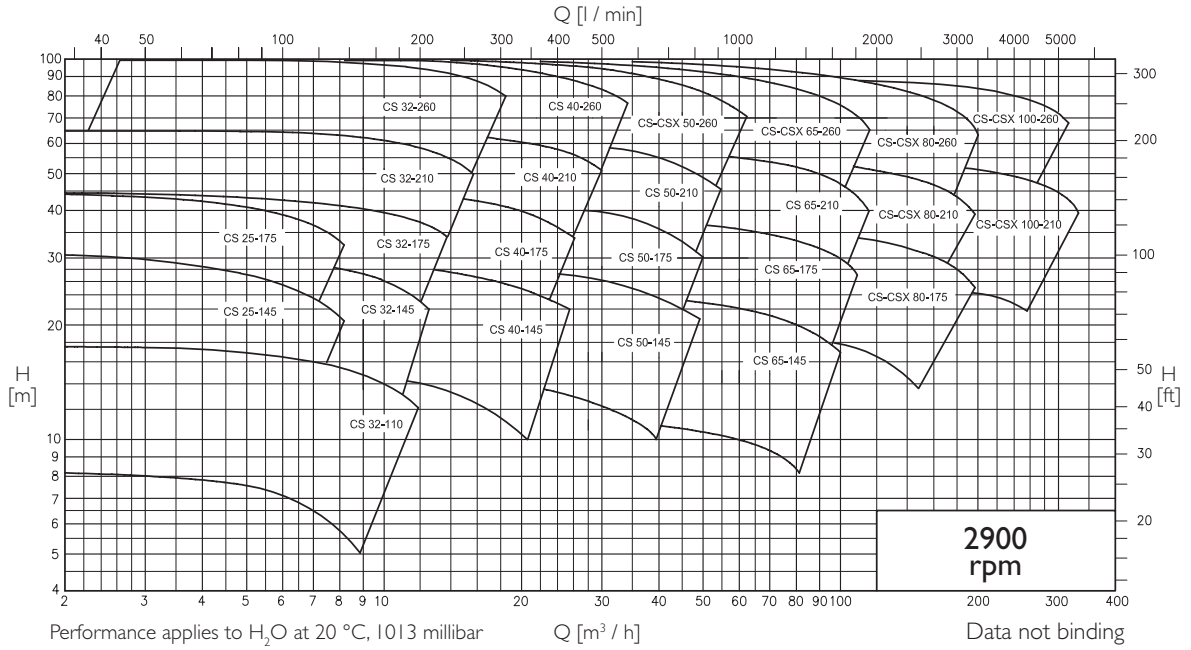
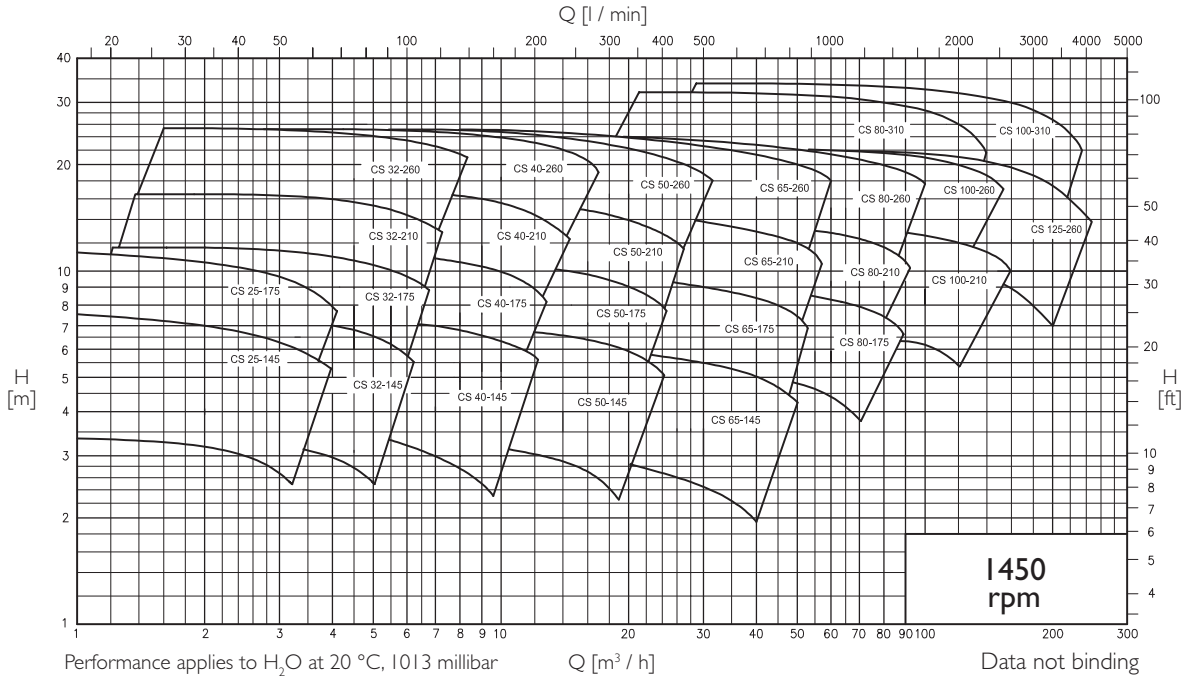
Connections:

DIN - SMS - IDF - BS / RJT - DS - CLAMP and EN 1092-1 PN 16 flanges suitable for all international standards.

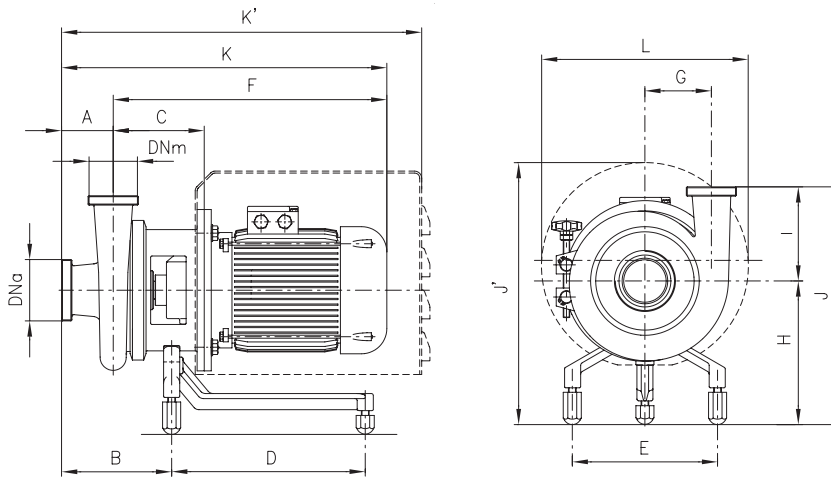
A wide range of 29 models divided into 4 groups.



GENERAL DIAGRAMS



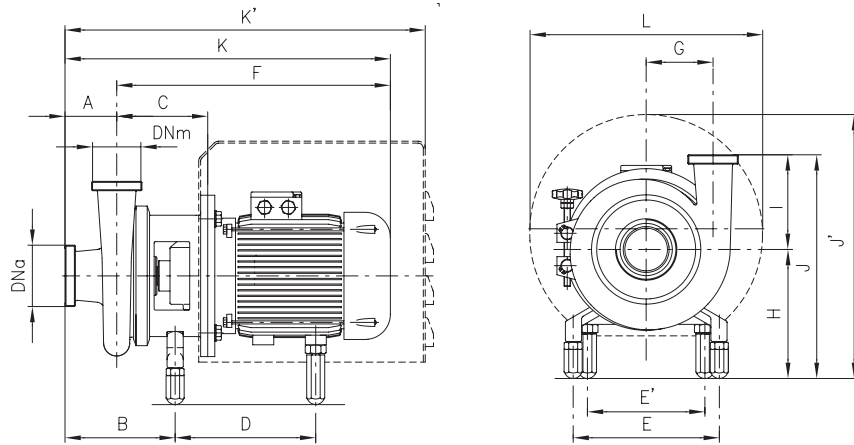
OVERALL DIMENSIONS



Dimensions not binding - DN = DIN 11851 male threaded connections with standard IEC/EN motors

Pumps	IEC motors size:	DNa	DNm	A	B	C	D	E	F	G	H	K	K'	I	J	J'	L				
CS 25-145	71	32	25	75	144	117	190	178	335	81	158	410	532	145	303	300	239				
	80					359			434			541	340			298					
	90					403			478												
CS 25-175	71	32	25	65	134	117	190	178	335	96	164	410	522	149	313	306	239				
	80					359			424			531	346			298					
	90					403			468												
	100					454	519	619	359		353	330									
	112					466	531														
CS 32-110	71	40	32	70	137	117	190	178	335	65	149	405	527	110	259	291	239				
	80					359			429			536	331			298					
	90					403			473												
CS 32-145	80	40	32	80	167	138	231	225	374	85	208	454	566	145	353	372	298				
	90					418			498												
	100					455	535		619		370	430			330						
	112					467	547														
CS 32-175	80	40	32	80	167	139	231	225	375	95	213	455	567	150	363	385	298				
	90					419			499												
	100					456	536		619		380	435			330						
	112					468	548														
CS 32-210	80	40	32	80	158	139	231	225	375	110	221	455	567	165	386	385	298				
	90					419			499												
	100					456	536		619		403	443			330						
	112					468	548														
CS 32-260	90	50	32	90	184	163	231	225	443	140	221	533	601	172	393	385	298				
	100					480			570			670						410	443	330	
	112					492			582												
CS 40-145	80	50	40	80	168	139	231	225	375	90	208	455	567	133	341	372	298				
	90					418			498												
	100					455	535		619		358	430			330						
	112					467	547														
CS 40-175	80	50	40	80	169	141	231	225	377	95	213	457	569	150	363	377	298				
	90					421			501			638						380	435	330	
	100					458	538		619												
	112					470	550														
CS 40-210	80	50	40	80	161	141	231	225	377	115	221	457	569	165	386	385	298				
	90					421			501			638						403	443	330	
	100					458	538		619												
	112					470	550														
CS 40-260	90	50	40	100	194	163	231	225	443	145	221	543	611	172	393	385	298				
	100					480			580			680						410	443	330	
	112					492			592												
CS 50-145	80	65	50	80	170	141	231	225	377	95	208	457	569	145	353	372	298				
	90					421			501			638						370	430	330	
	100					458	538		619												
	112					470	550														
CS 50-175	80	65	50	80	169	141	231	225	377	100	213	457	569	150	363	377	298				
	90					421			501			638						380	435	330	
	100					458	538		619												
	112					470	550														
CS 50-210	90	65	50	80	161	141	231	225	421	120	221	501	569	165	386	385	298				
	100					458			538			638						402	443	330	
	112					470			550												
CS 50-260	100	65	50	90	185	165	301	225	481	145	238	571	671	175	413	443	330				
	112								493			583									
CS 65-145	80	80	65	79	173	145	231	225	381	112	208	460	572	145	353	372	298				
	90								425			504									
	100								462			541						642	370	430	330
	112								474			553									
CS 65-175	90	80	65	80	172	144	231	225	424	120	213	504	572	150	363	377	298				
	100					461			541			641						380	435	330	
	112					473	553														
CS 65-210	90	80	65	90	189	168	231	225	448	135	221	538	605	165	386	385	298				
	100					485			575			675						403	443	330	
	112					497			587												
CS 65-260	100	80	65	100	198	168	301	225	484	155	238	584	684	205	443	443	330				
	112								496			596									

CS 80-175	100	100	80	100	204	174	301	225	490	139	230	590	690	164	394	435	330
	112								502			602					
CS 80-210	100	100	80	100	201	171	301	225	487	145	238	587	687	165	403	443	330
	112								499			599					
CS 80-260	100	100	80	100	201	171	301	225	487	165	238	587	687	209	447	443	330
	112								499			599					

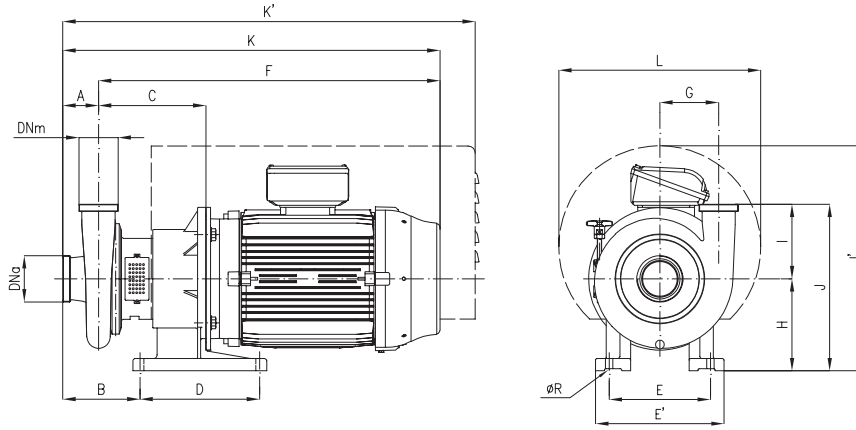


Dimensions not binding - DN = DIN 11851 male threaded connections with standard IEC/EN motors

Pumps	IEC motors size:	DNa	DNm	A	B	C	D	E	E'	F	G	H	K	K'	I	J	J'	L		
CS 32-210	132 S	40	32	80	158	161	309	225	198	571	110	238	651	735	165	403	460	370		
	132 M					206	446		254	733			813	907			546	478		
	160																			
CS 32-260	132 S	50	32	90	184	185	318	225	198	595	140	238	685	769	172	410	460	370		
	132 M					225	450		254	752			842	940			419	555	478	
	160																			
CS 40-175	132 S	50	40	80	169	164	301	225	198	574	95	230	654	738	150	380	460	370		
	132 M				161	208	438		254	735			815	909			165	403	546	478
	160																			
CS 40-210	132 S	50	40	80	161	164	309	225	198	574	115	238	654	738	165	403	460	370		
	132 M				208	446	254		735	815			909	546			478			
	160																			
CS 40-260	132 S	50	40	100	194	185	318	225	198	595	145	238	695	779	172	410	460	370		
	132 M					225	494		254	752			852	950			419	555	478	
	160					532	279		779	879										
CS 50-145	132	65	50	80	170	164	300	225	198	574	95	225	654	738	145	370	447	370		
	132 S																			
	132 M																			
CS 50-175	132 S	65	50	80	169	164	301	225	198	574	100	230	654	738	150	380	452	370		
	132 M					208	438		254	735			815	909			538	478		
	160																			
CS 50-210	132 S	65	50	80	161	164	309	225	198	574	120	238	654	738	165	403	460	370		
	132 M				208	446	254		735	815			909	546			478			
	160				171	223	494		279	777			248	857			928	413	556	
	180																			
CS 50-260	160	65	50	90	186	228	450	225	254	755	145	247	845	943	175	422	555	478		
	132 S					494	279		782	872										
	180																			
CS 65-145	132 S	80	65	79	173	168	300	225	198	578	112	225	657	741	145	370	447	370		
	132 M					212	437		254	739			818	912			533	478		
	160																			
CS 65-175	132 S	80	65	80	172	167	301	225	198	577	120	230	657	741	150	380	452	370		
	132 M				211	482	254		738	818			912	538			478			
	160				173	224	493		279	778			241	858			929	391		
CS 65-210	160	80	65	90	189	231	450	225	254	758	135	247	848	946	165	412	555	478		
	132 S					494	279		785	875										
	180																			
CS 65-260	132 S	80	65	100	198	190	318	225	198	600	155	238	700	784	205	443	460	370		
	132 M					230	450		254	757			857	955			205	452	555	478
	160					494	279		784	884										
CS 80-175	132 S	100	80	100	204	195	316	225	198	603	139	230	703	787	164	405	549	478		
	160				205	236	449		254	763			863	961			405	549		
	180								279	790			890							
CS 80-210	132 S	100	80	100	201	193	318	225	198	603	145	238	703	787	165	403	460	370		
	160					233	450		254	760			860	958			164	411	555	478
	180						494		279	787			887							
CS 80-260	132 S	100	80	100	201	193	318	225	198	603	165	238	703	787	209	447	460	370		
	132 M					233	494		254	760			860	958			209	456	555	478
	160																			
CS 80-310	160	100	80	100	202	235	495	225	254	767	200	250	867	994	250	500	560	480		
	132 S					533	279		827	927										
	180																			
CS 100-210	132	125	100	111	219	200	318	225	198	610	161	238	721	805	214	452	460	370		
	160					240	494		247	794			905	976			461	555	478	
	180																			
CS 100-260	132 M	125	100	115	218	195	318	225	198	605	186	238	720	804	216	454	460	370		
	160					235	454		247	777			877	975			463	555	478	
	180					235	494		247	789			904							
CS 100-310	160	125	100	115	221	239	495	225	254	771	214	250	886	1013	259	509	560	480		
	132 S					533	279		831	946										
	180																			
CS 125-260	132 M	150	125	110	223	203	318	225	198	613	206	238	723	621	216	454	460	370		
	160					244	450		254	771			881	979			463	555	478	
	180						494		279	798			908							

OVERALL DIMENSIONS

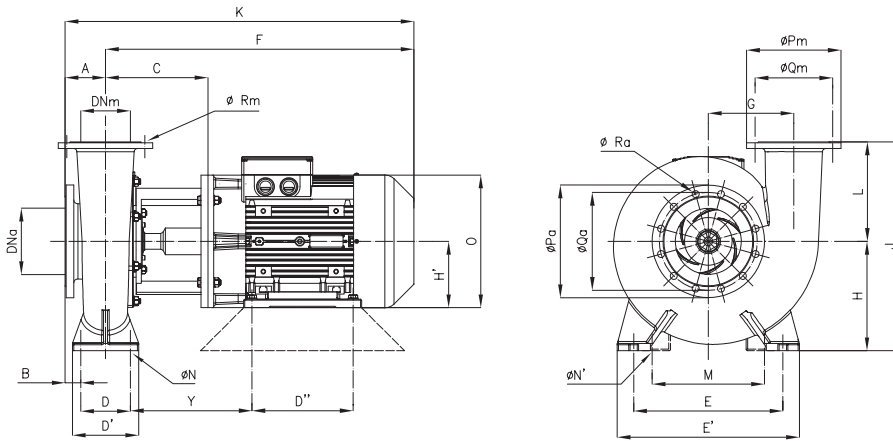
**PUMPS CSX SERIES
FOR POWER OF 30 kW
(MOTOR SIZE IEC 200)**



Dimensions not binding - DN = DIN 11851 male threaded connections with standard IEC/EN motors

Pumps	EC motor size 200	DNa	DNm	A	B	C	D	E	E'	F	G	H	K	K'	ØR	I	J	J'	L	
CSX 50-260		65	50	90	201	296	335	284	360	915	145	258	21	1005	1141	21	175	433	613	530
CSX 65-260		80	65	100	213	298				917	155			1017	1153		205	463		
CSX 80-175		100	80	100	219	304				923	139			1023	1159		164	422		
CSX 80-210		100	80	100	216	301				920	145			1020	1156		164	422		
CSX 80-260		100	80	100	216	301				920	165			1020	1156		209	467		
CSX 80-310		100	80	100	218	303				964	200			1064	1154		250	508		
CSX 100-210		125	100	111	234	308				927	161			1038	1174		214	472		
CSX 100-260		125	100	115	233	303				922	186			1037	1173		216	474		
CSX 100-310		125	100	115	237	307				968	215			1083	1172		259	517		
CSX 125-260	150	125	110	237	312	931				206	1041			1177	216		474			

**"CS" PUMP
4th GROUP
CLOSE COUPLED
VERSION**



Dimensions not binding - DN = Flanges EN 1092-1 PN 16

Pumps	IEC motors size:	DNa	DNm	A	B	C	D	D'	D''	E	E'	F	G	H	H'	K	J	Y	L	M	N	N'	O	Ø Pa	Ø Pm	Ø Qa	Ø Qm	Ø Ra	Ø Rm	no. holes a	no. holes m							
CS 125-350	132	150	125	122	47	286	150	200	279	400	500	846	232	280	132	825	580	332	300	279	22	12	300	285	250	240	210	22	18	8	8							
	160																															764	160	886	319	254	17	350
	180																															913	200	1035	361	318	19	400
	200																															983	225	1105	407	356	19	450
	225																															1105	225	1105	407	356	19	450
CS 150-350	132	200	150	122	47	292	150	200	279	450	550	852	258	330	160	892	630	338	300	279	22	17	350	340	285	295	240	22	22	12	8							
	160																															770	160	892	325	254	17	350
	180																															919	200	1041	367	318	19	400
	200																															989	225	1111	413	356	19	450
	225																															1111	225	1111	413	356	19	450



CSF Inox S.p.A. Strada per Bibbiano, 7 - 42027 Montecchio E. (RE) - ITALY EU
Ph +39.0522.869911 ra. - Fx +39.0522.865454 / 866758 - csfitalia@csf.it - www.csf.it

Export Department • Commercial Étranger • Comercial Extranjero
Ph +39.0522.869922 - Fx +39.0522.869841 - csfexport@csf.it - www.csf.it

All the instructions, data and representations (in whatever way executed) listed in this publication are indicative and do not binding. CSF does not stand surety or undertake any obligation for the utilisation of this document and for the information contained. In particular, it does not guarantee against omissions or errors of the data and drawings here indicated.
Notice that the technical specifications, information and representations in this document are merely indicative and approximate. CSF INOX reserves the right at any moment and without notice to modify the data, drawings and information indicated in this document.